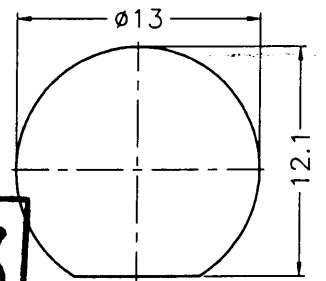
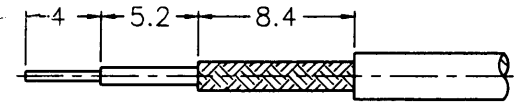


1 2 3 4 5 6 7 8

REVISIONS		
ISS	ZONE	DESCRIPTION\PER REQUEST\DATE
B	A-1	NO.2 WAS CHANGED\RD-DM89062301C\06-23-00'

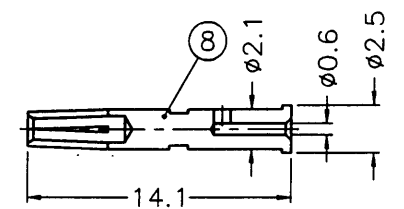
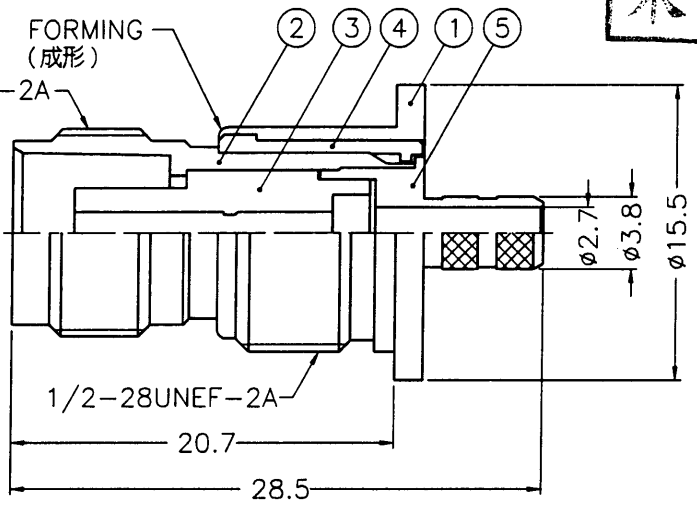
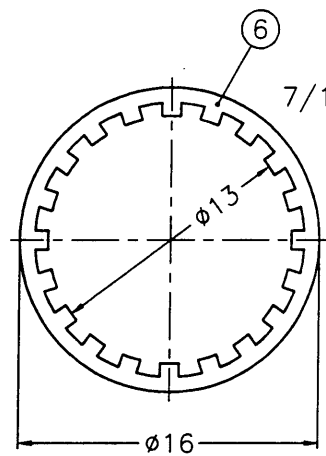
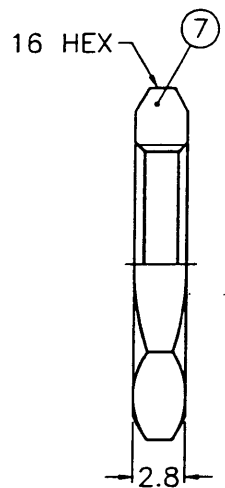
註: 1. 組立成形後零件 1 及零件 2 間必須承受 15 IN-LB 扭力, 30 LB 拉力



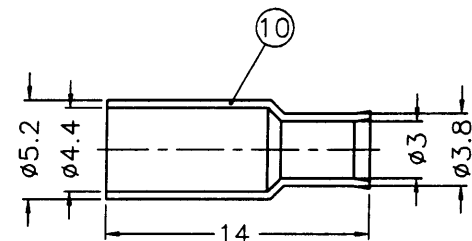
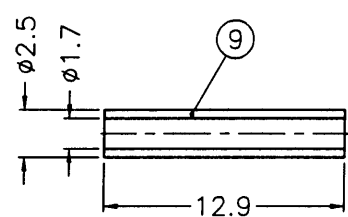
RECOMMENDED
CABLE STRIPPING DIM'S
(建議剝線尺寸)



RECOMMENDED
MOUNTING HOLE
(建議架設孔)



- NOTES: FINISH (PLATING THICKNESS IN MICRO-INCHES)
1. BRASS PER QQ-B-626
 2. BRASS PER QQ-B-613
 3. NICKEL PL. 100 MIN. THICK OVER COPPER STRIKE
 4. PHOSPHOR BRONZE PER QQ-B-750
 5. GOLD PL. 3 MIN. THICK OVER NICKEL PL. 100 MIN. THICK OVER COPPER STRIKE
 6. JIS H 3260, C 3501



1. CRIMPED FERRULE
HEX CRIMP SIZE .178"
2. CRIMPED CONTACT PIN
HEX CRIMP SIZE .068"

NO.	DESCRIPTION	MATERIAL	FINISH	Q'TY	DRAWING NO.
10	FERRULE	NOTE 6	NOTE 3	1	FR-52/44-38/3 X14
9	SLEEVE	DELTRIN	NATURAL	1	SL-25/17X129
8	CONTACT PIN	NOTE 4	NOTE 5	1	B74000-8-25/06
7	HEX NUT	NOTE 1	NOTE 3	1	HN16-1/2-28X28
6	LOCK WASHER	NOTE 2	NOTE 3	1	LW-16/13X05
5	BARREL	NOTE 1	NOTE 3	1	B74042-5-38/27
4	INSULATOR	DELTRIN	NATURAL	1	B74040-4
3	INSULATOR	DELTRIN	NATURAL	1	B74090-3-50-B
2	BODY	NOTE 1	NOTE 3	1	T74040-2-C
1	HOUSING	NOTE 1	NOTE 3	1	RB6721E1-1

DIMENSIONS ARE IN MILLIMETERS
UNLESS OTHERWISE SPECIFIED TOLERANCES

0.5-6 = ±0.2
6-30 = ±0.4
30-120 = ±0.6
120-315 = ±1
315-1000 = ±1.6
1000-2000 = ±2.4

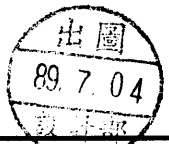
PART NO.	
APPROVED	DATE 07-01-00'
CHECKED	DATE 07-01-00'
DRAWN	DATE 07-01-00'

Amphenol - Kai Jack
TAINAN TAIWAN

TITLE: TNC BULKHEAD ISOLATED CRIMP JACK

DRAWING NO.: KJ-T6721E1-ND3G-316U-50

FILE NO.: F:\DWG\T\6721E1\316U-50\ND3G



89DR2060