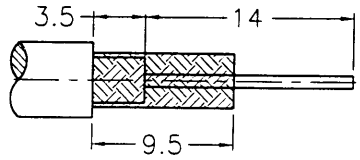


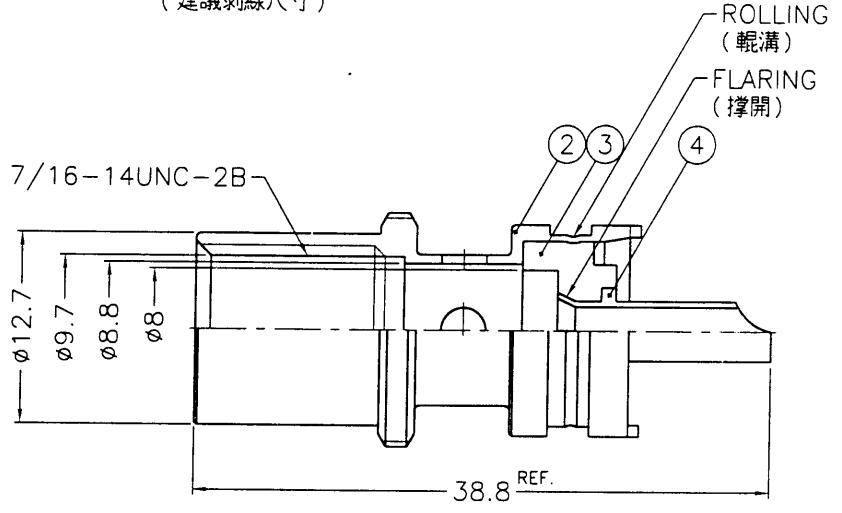
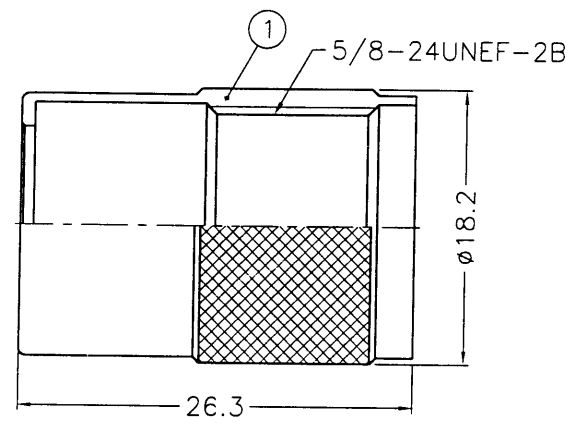
1 2 3 4 5 6 7 8

REVISIONS		
ISS	ZONE	DESCRIPTION\PER REQUEST\DATE
A1	E-5	ADDED "RECOMMENDED CABLE STRIPPING DIM'S"\N/A \05-24-99'

業務部



RECOMMENDED
CABLE STRIPPING DIM'S
(建議剥線尺寸)



88.5.27

NOTES: FINISH (PLATING THICKNESS IN MICRO-INCHES)
 1. BRASS PER QQ-B-626
 2. NICKEL PL. 100 MIN. THICK OVER COPPER STRIKE
 3. SILVER PL. 200 MIN. THICK OVER COPPER STRIKE
 4. PHENOLIC, YELLOW PER PANTONE 110C

DIMENSIONS ARE IN MILLIMETERS
 UNLESS OTHERWISE SPECIFIED TOLERANCES
 0.5-6 = ±0.2
 6-30 = ±0.4
 30-120 = ±0.6
 120-315 = ±1
 315-1000 = ±1.6
 1000-2000 = ±2.4

PART NO.	
APPROVED	<i>Mark C</i> DATE 05-24-99'
CHECKED	<i>Mark C</i> DATE 05-24-99'
DRAWN	<i>Acta</i> DATE 05-24-99'

<p>KAI JACK INDUSTRIAL CO., LTD. TAINAN TAIWAN R.O.C.</p>	TITLE UHF SOLDER PLUG
	DRAWING NO. KJ-U1181C1-NPHS-50
	FILE NO. F:\DWG\U\1181C1\50\NPHS

NO.	DESCRIPTION	MATERIAL	FINISH	Q'TY	DRAWING NO.
4	CONTACT PIN		NOTE 1	NOTE 3	1 U5290-4
3	INSULATOR		NOTE 4	NOTE 4	1 U5290-3PHE-50
2	BODY		NOTE 1	NOTE 2	1 U5290-2
1	SHELL		NOTE 1	NOTE 2	1 U5290-1

1 2 3 4 5 6 7 8

8120209