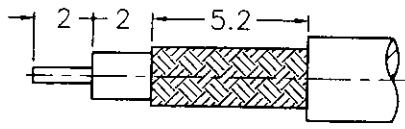
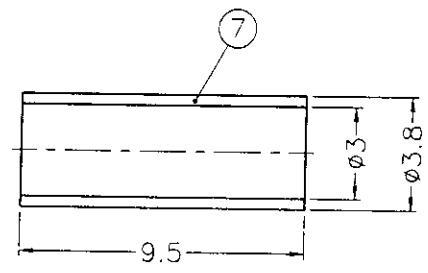
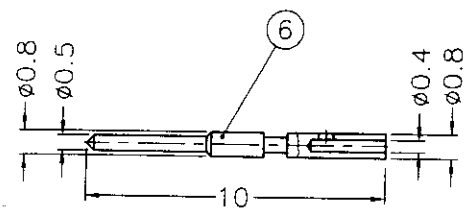
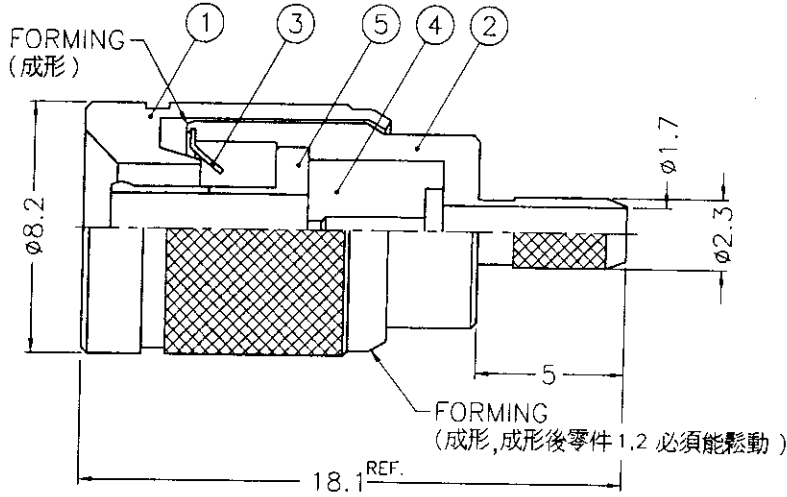


REVISIONS		
ISS	ZONE	DESCRIPTION\PER REQUEST\DATE



RECOMMENDED
CABLE STRIPPING DIM'S
(建議剝線尺寸)



1. CRIMPED FERRULE
HEX CRIMP SIZE .128"
2. CONTACT PIN TO SOLDER

NOTES: FINISH (PLATING THICKNESS IN MICRO-INCHES)
 1. BRASS PER QQ-B-626
 2. BERYLLIUM COPPER PER QQ-C-530
 3. NICKEL PL. 100 MIN. THICK OVER COPPER STRIKE
 4. GOLD PL. 3 MIN. THICK OVER NICKEL PL. 100 MIN. THICK OVER COPPER STRIKE
 5. TEFLON MIL-P-19468

NO.	DESCRIPTION	MATERIAL	FINISH	Q'TY	DRAWING NO.
7	FERRULE	COPPER	NOTE 3	1	FR-38/3X95C
6	CONTACT PIN	NOTE 1	NOTE 4	1	1231121D2-6-08/04
5	OUT CONTACT	NOTE 2	NOTE 4	1	1231121D1-6-B
4	INSULATOR	NOTE 5	NATURAL	1	1231121D2-4T-75
3	SPRING	NOTE 2	NATURAL	1	123-PLUG-SPR
2	BODY	NOTE 1	NOTE 3	1	1231121D2-2-75
1	SHELL	NOTE 1	NOTE 3	1	1231121D2-1

DIMENSIONS ARE IN MILLIMETERS		PART NO.
UNLESS OTHERWISE SPECIFIED TOLERANCES		APPROVED <i>A. K. C.</i> DATE 11-21-00'
0.5-6 = ±0.2		CHECKED <i>Stacy.w</i> DATE 11-21-00'
6-30 = ±0.4		DRAWN <i>JOYCE</i> DATE 11-21-00'
30-120 = ±0.6		
120-315 = ±1		
315-1000 = ±1.6		
1000-2000 = ±2.4		

Amphenol - Kai Jack
TAINAN TAIWAN

TITLE: 1.0/2.3 CRIMP PLUG (FOR RG-179/U, 187A/U)

DRAWING NO. KJ-1231121D2-N/3GT3G-179U-75

FILE NO. F:\DWG\123\1121D2\179U-75\N3GT3G

F
E
D
C
B
A

F
E
D
C
B
A