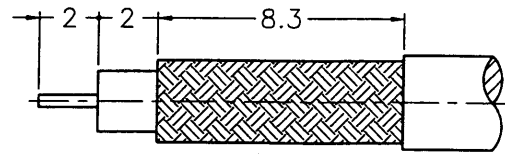


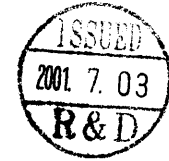
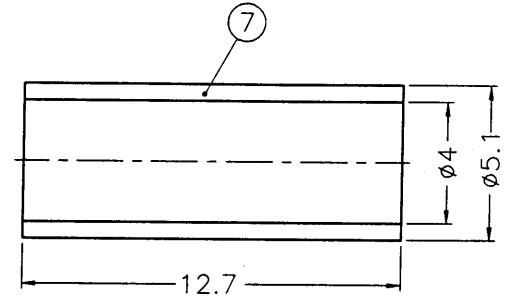
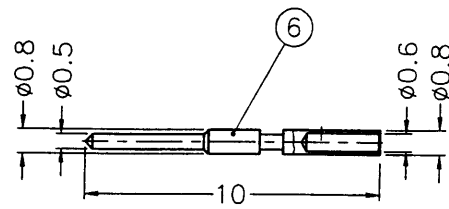
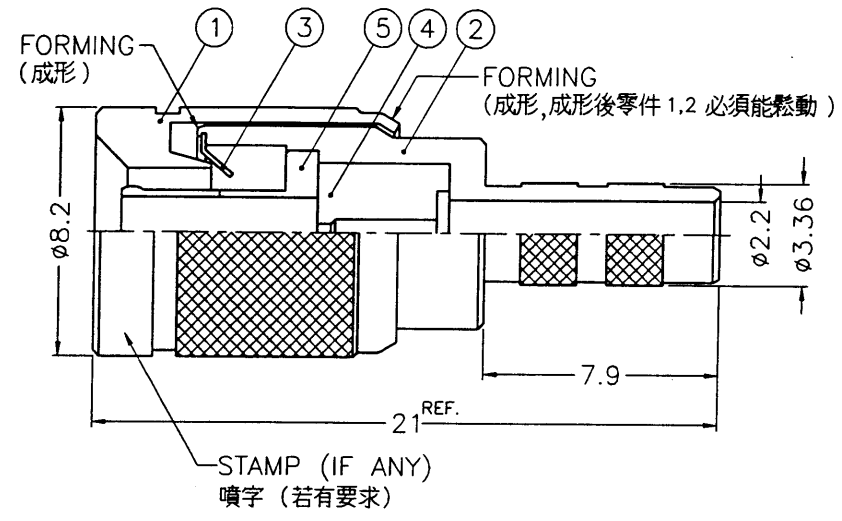
1 2 3 4 5 6 7 8

REVISIONS		
ISS	ZONE	DESCRIPTION\PER REQUEST\DATE
B	B-1	NO.6 WAS CHANGED\RD-DM90070201C\07-02-01'



RECOMMENDED  
CABLE STRIPPING DIM'S  
(建議剝線尺寸)

**SALES**



- NOTES: FINISH (PLATING THICKNESS IN MICRO-INCHES)
1. BRASS PER QQ-B-626
  2. BERYLLIUM COPPER PER QQ-C-530
  3. NICKEL PL. 100 MIN. THICK OVER COPPER STRIKE
  4. GOLD PL. 3 MIN. THICK OVER NICKEL PL. 100 MIN. THICK OVER COPPER STRIKE
  5. TEFLON MIL-P-19468
  6. JIS H 3250, C 2700

1. CRIMPED FERRULE  
HEX CRIMP SIZE .178"
2. CONTACT PIN TO SOLDER

NO.	DESCRIPTION	MATERIAL	FINISH	Q'TY	DRAWING NO.
7	FERRULE			1	FR-51/4X127
6	CONTACT PIN			1	1231121D2-6-08/06
5	OUT CONTACT			1	1231121D1-6-B
4	INSULATOR			1	1231121D2-4T-75
3	SPRING			1	123-PLUG-SPR
2	BODY			1	1231121D3-2-336/22
1	SHELL			1	1231121D2-1

DIMENSIONS ARE IN MILLIMETERS  
UNLESS OTHERWISE SPECIFIED TOLERANCES

0.5-6 = ±0.2  
6-30 = ±0.4  
30-120 = ±0.6  
120-315 = ±1  
315-1000 = ±1.6  
1000-2000 = ±2.4

PART NO.	
APPROVED	DATE 07-02-01'
CHECKED	DATE 07-02-01'
DRAWN	DATE 07-02-01'

<b>Amphenol - Kai Jack</b> TAINAN TAIWAN	
TITLE 1.0/2.3 CRIMP PLUG	
DRAWING NO. KJ-1231121D3-N/3GT3G-ST212-75	
FILE NO. F:\DWG\123\1121D3\ST212-75\N3GT3G	

*gacky*  
*gacky*  
*gacky*