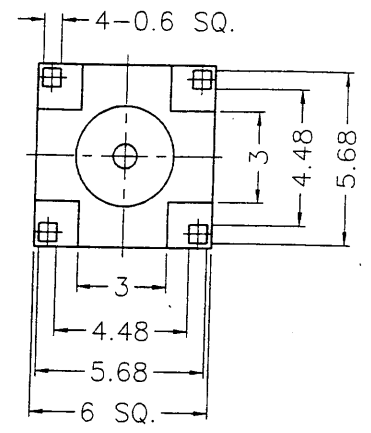
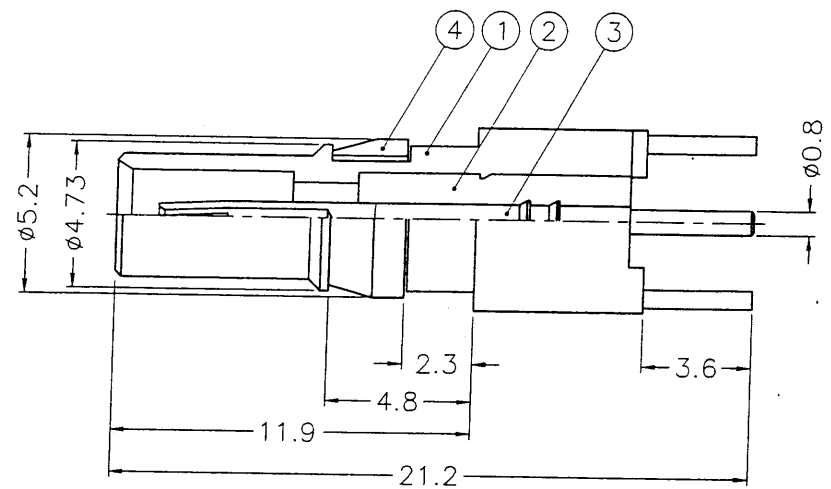
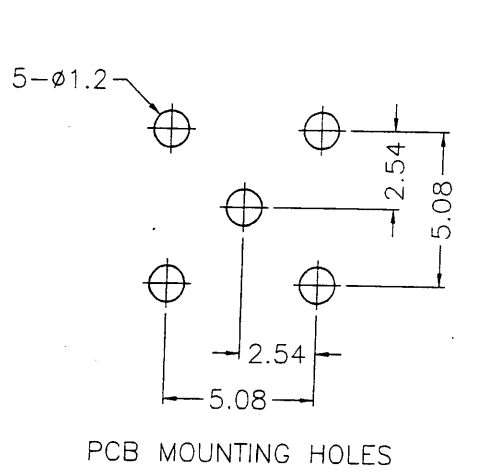


ISS		ZONE		REVISIONS	
				DESCRIPTION\PER REQUEST\DATE	



NOTES: FINISH (PLATING THICKNESS IN MICRO-INCHES)

1. BRASS PER QQ-B-626
2. BERYLLIUM COPPER PER QQ-C-530
3. NICKEL PL. 100 MIN. THICK OVER COPPER STRIKE
4. GOLD PL. 3 MIN. THICK OVER NICKEL PL. 100 MIN. THICK OVER COPPER STRIKE
5. GOLD PL. 30 MIN. THICK OVER NICKEL PL. 100 MIN. THICK OVER COPPER STRIKE
6. TEFLON MIL-P-19468



DIMENSIONS ARE IN MILLIMETERS			
UNLESS OTHERWISE SPECIFIED TOLERANCES			
0.5-6	=	$\pm$ 0.2	
6-30	=	$\pm$ 0.4	
30-120	=	$\pm$ 0.6	
120-315	=	$\pm$ 1	
315-1000	=	$\pm$ 1.6	
1000-2000	=	$\pm$ 2.4	

PART NO.	
APPROVED	DATE
CHECKED	DATE
DRAWN	DATE

<b>KAI JACK INDUSTRIAL CO., LTD.</b> TAINAN TAIWAN R.O.C.	
TITLE	
1.0/2.3 PCB JACK	
DRAWING NO.	
KJ-1236251L2-N/3GT30G-50	
FILE NO. F:\DWG\123\6251L2\50\N3GT30G	

NO.	DESCRIPTION	MATERIAL	FINISH	Q'TY	DRAWING NO.
4	RETAINER RING	NOTE 1	NOTE 3	1	SZ1111C1-5-B
3	CONTACT PIN	NOTE 2	NOTE 5	1	1236251L1-3
2	INSULATOR	NOTE 6	NATURAL	1	1236251L2-2T-50
1	BODY	NOTE 1	NOTE 4	1	1236251L2-1

F  
E  
D  
C  
B  
A