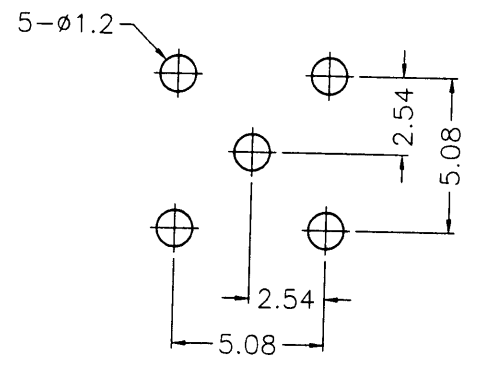
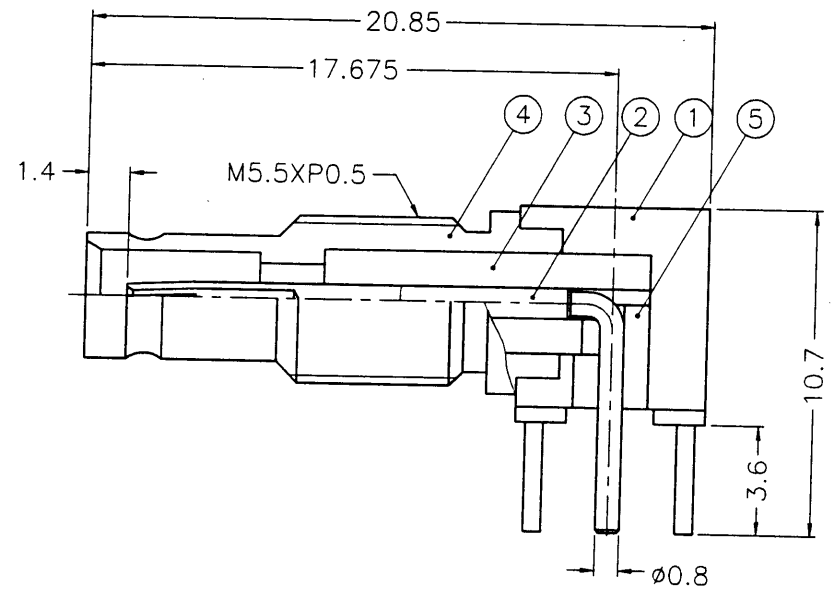
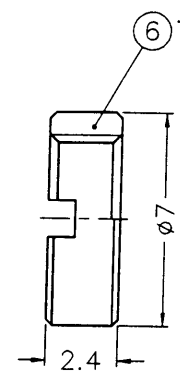
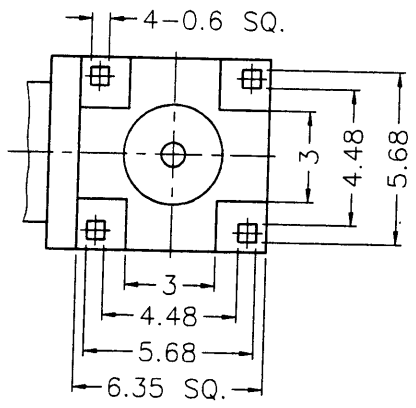


業務部

REVISIONS				
ISS	ZONE	DESCRIPTION	PER REQUEST	DATE



PCB MOUNTING HOLE  
(印刷电路板架設孔)



- NOTES: FINISH (PLATING THICKNESS IN MICRO-INCHES)
- BRASS PER QQ-B-626
  - BERYLLIUM COPPER PER QQ-C-530
  - NICKEL PL. 100 MIN. THICK OVER COPPER STRIKE
  - GOLD PL. 3 MIN. THICK OVER NICKEL PL. 100 MIN. THICK OVER COPPER STRIKE
  - GOLD PL. 30 MIN. THICK OVER NICKEL PL. 100 MIN. THICK OVER COPPER STRIKE
  - TEFLON MIL-P-19468

NO.	DESCRIPTION	MATERIAL	FINISH	Q'TY	DRAWING NO.
6	HEX NUT	NOTE 1	NOTE 3	1	123-JACK-SN
5	INSULATOR	NOTE 6	NATURAL	1	1236252L1-5T-50
4	BODY	NOTE 1	NOTE 4	1	1236252L1-4
3	INSULATOR	NOTE 6	NATURAL	1	1236252L1-3T-50
2	CONTACT PIN	NOTE 2	NOTE 5	1	1236252L1-2
1	HOUSING	NOTE 1	NOTE 4	1	1236252L1-1

DIMENSIONS ARE IN MILLIMETERS			
UNLESS OTHERWISE SPECIFIED TOLERANCES			
0.5-6	=	±0.2	
6-30	=	±0.4	
30-120	=	±0.6	
120-315	=	±1	
315-1000	=	±1.6	
1000-2000	=	±2.4	

PART NO.	
APPROVED	DATE 09-29-00'
CHECKED	DATE 09-29-00'
DRAWN	DATE 09-29-00'

Amphenol - Kai Jack	
TAINAN TAIWAN	
TITLE	1.0/2.3 R/A PCB JACK
DRAWING NO.	KJ-1236252L1-N/3GT30G-50
FILE NO.	F:\DWG\123\6252L1\50\N3GT30G

F  
E  
D  
C  
B  
A

F  
E  
I  
C  
E  
A