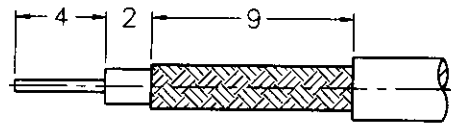


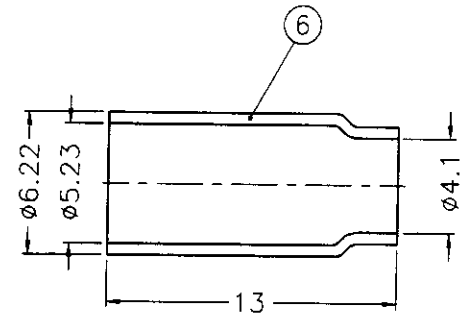
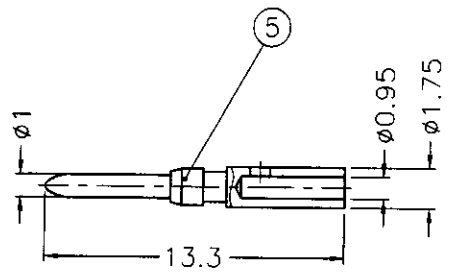
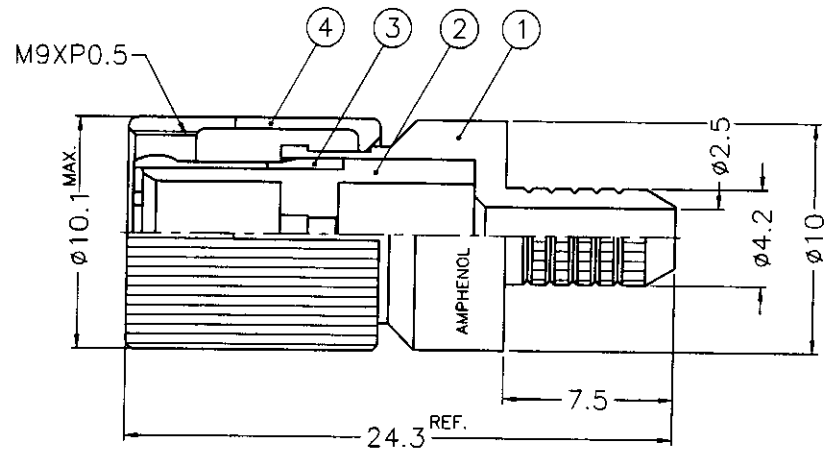
| REVISIONS | | |
|-----------|------|------------------------------|
| ISS | ZONE | DESCRIPTION\PER REQUEST\DATE |
| | | |

業務中



RECOMMENDED
CABLE STRIPPING DIM'S
(建議剝線尺寸)

- CABLES: - NORTELL
 RA 750-304541
 - L910/39
 - TR-SP.125
 - L910/34
 - BT 3002
 - TR-SP.127
 - PT-R 0229/70



- FERRULE CRIMPING TOOLS P/N(套管壓著工具)
 227-944 (M22520/5.01)
 227-1221-19B (M22520/5.19) HEX: 5.41 L= 10.16
- INNER CONTACT CRIMPING TOOL P/N(內導線壓著工具)
 413 SP 00 ADJUST TO 5 (CABLE BT 3002: ADJUST TO 3)
- STRIPPING TOOL FOR L910/34(剝線工具)
 SP 456 00
- CONNECTOR ACCORDING TO NF C 93-570, DIN 47-295, CEI 169-13
 (連接器依據 NF C 93-570, DIN 47-295, CEI 169-13)
- PACKAGING IN BAG WITH COMMERCIAL PART NUMBER AND DATE CODE
 (使用商業產品編號和日期碼袋包裝)



| DIMENSIONS ARE IN MILLIMETERS | | | | | PART NO. | | Amphenol - Kai Jack | | |
|-------------------------------|---------------|----------|---------|------|---------------|-----------|---------------------------------------|-------|---|
| 6 | FERRULE | COPPER | NICKEL | 1 | 156-929-34 | | TAINAN TAIWAN | | |
| 5 | CONTACT PIN | BRASS | GOLD | 1 | APPROVED | DATE | TITLE | | |
| 4 | SHELL | BRASS | NICKEL | 1 | <i>Golden</i> | 12-16-99' | 1.6/5.6 75Ω STRAIGHT PLUG, CRIMP TYPE | | |
| 3 | OUTER CONTACT | BRONZE | GOLD | 1 | CHECKED | DATE | DRAWING NO. | | |
| 2 | INSULATOR | TEFLON | NATURAL | 1 | <i>Golden</i> | 12-16-99' | | | |
| 1 | BODY | BRASS | NICKEL | 1 | DRAWN | DATE | FILE NO. | | |
| NO. | DESCRIPTION | MATERIAL | FINISH | Q'TY | DRAWING NO. | SCALE | 3/1 | ISSUE | G |
| | | | | | | | | | |