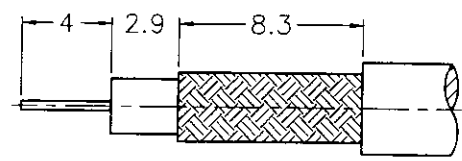
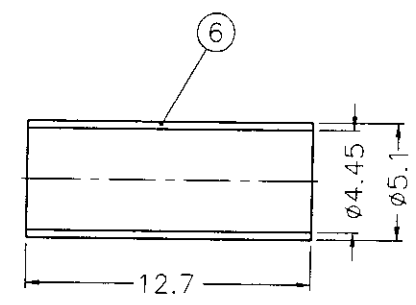
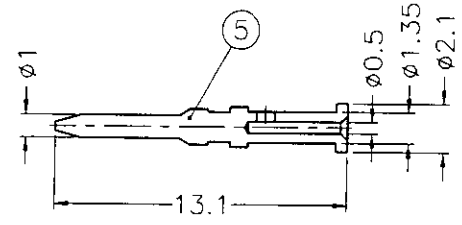
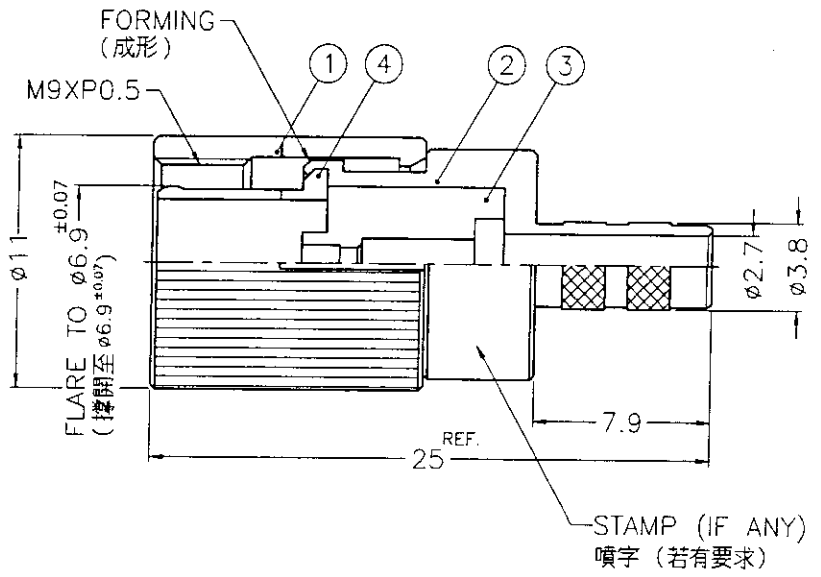


ISS		ZONE		REVISIONS		DESCRIPTION \ PER REQUEST \ DATE	

**SALES**



RECOMMENDED  
CABLE STRIPPING DIM'S  
(建議剝線尺寸)



ISSUED  
2001. 6. 28  
R & D

- NOTES: FINISH (PLATING THICKNESS IN MICRO-INCHES)
1. BRASS PER QQ-B-626
  2. NICKEL PL. 100 MIN. THICK OVER COPPER STRIKE
  3. PHOSPHOR BRONZE PER QQ-B-750
  4. GOLD PL. 3 MIN. THICK OVER NICKEL PL. 100 MIN. THICK OVER COPPER STRIKE
  5. TEFLON MIL-P-19468
  6. JIS H 3250, C 2700

1. CRIMPED FERRULE  
HEX CRIMP SIZE .178"
2. CRIMPED CONTACT PIN  
SQ. CRIMP SIZE .043"

NO.	DESCRIPTION	MATERIAL	FINISH	Q'TY	DRAWING NO.
6	FERRULE	NOTE 6	NOTE 2	1	FR-51/445X127
5	CONTACT PIN	NOTE 1	NOTE 4	1	1561121A1-5-21/05-B
4	OUT CONTACT	NOTE 3	NOTE 4	1	1561121G1-2
3	INSULATOR	NOTE 5	NATURAL	1	1561121A1-3T-75
2	BCDY	NOTE 1	NOTE 2	1	1561121A1-2-38/27
1	SHELL	NOTE 1	NOTE 2	1	1561121G1-1-B

DIMENSIONS ARE IN MILLIMETERS  
UNLESS OTHERWISE SPECIFIED TOLERANCES

0.5-6 =  $\pm 0.2$   
6-30 =  $\pm 0.4$   
30-120 =  $\pm 0.6$   
120-315 =  $\pm 1$   
315-1000 =  $\pm 1.6$   
1000-2000 =  $\pm 2.4$

PART NO.	
APPROVED	DATE 06-21-01'
CHECKED	DATE 06-21-01'
DRAWN	DATE 06-21-01'

Amphenol - Kai Jack	
TAINAN TAIWAN	
TITLE	1.6/5.6 CRIMP PLUG (FOR 2.5C2V CABLE)
DRAWING NO.	KJ-1561121A1-N/3GT3G-2.5C2V-75
FILE NO.	F:\DWG\156\1121A1\25C2V-75\N3GT3G

RDEDR12399