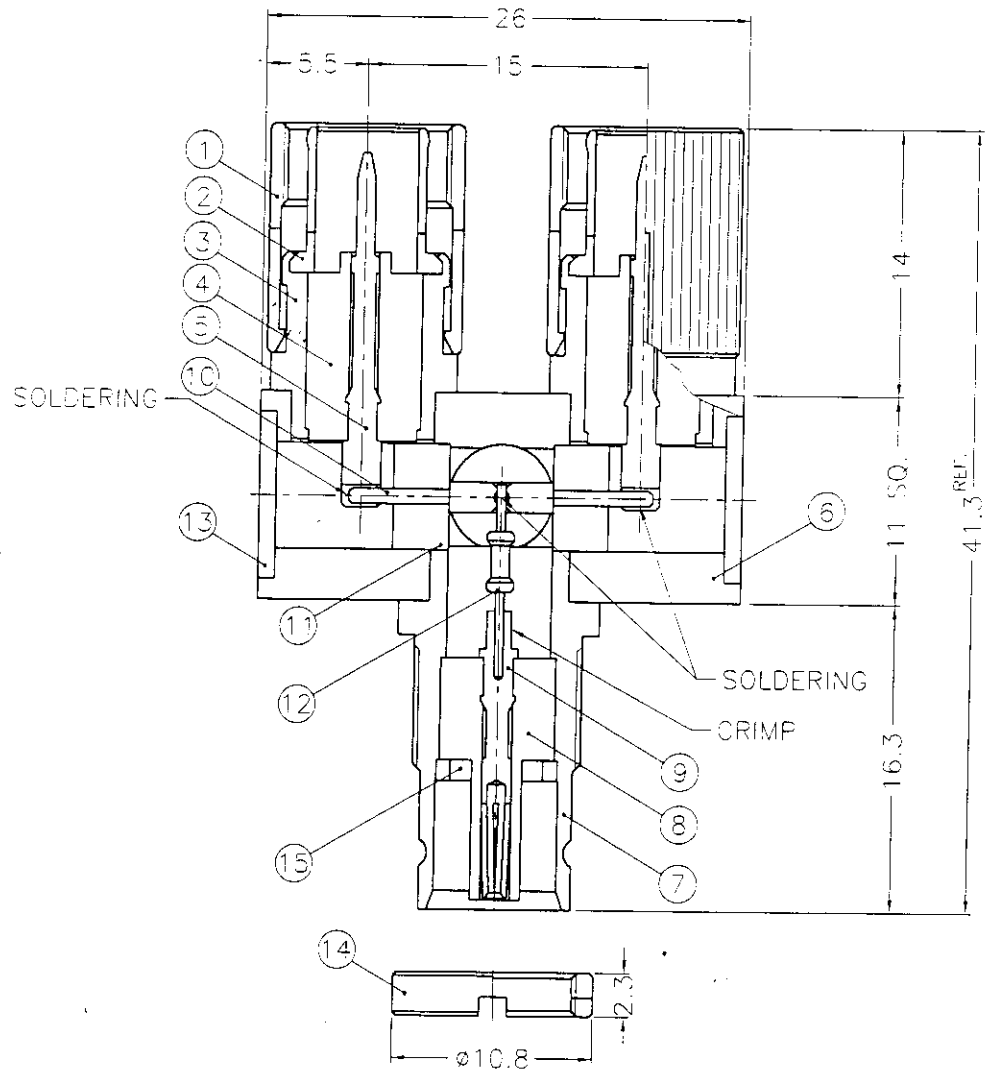


1 2 3 4 5 6 7 8

REVISIONS			
ISS	ZONE	DESCRIPTION	APPROVED \ DATE

業務部



NOTES: FINISH (PLATING THICKNESS IN MICRO-INCHES)
 1. BRASS PER QQ-B-626
 2. BRASS PER QQ-B-613
 3. PHOSPHOR BRONZE PER QQ-B-750
 4. TEFLON MIL-P-19468
 5. NICKEL PL. 100 MIN. THICK OVER COPPER STRIKE
 6. GOLD PL. 3 MIN. THICK OVER NICKEL PL. 100 MIN. THICK OVER COPPER STRIKE

15	LOCK RING	NOTE 1	NOTE 6	1	S931-750-3
14	NUT	NOTE 1	NOTE 5	1	RN108-9-05X23S
13	COVER	NOTE 2	NOTE 5	3	CV-895X07-T
12	RESISTOR	756R		1	RS-766R-1/8W -1%
11	INSULATOR	NOTE 4	NATURAL	2	15687062401-10
10	PIN	NOTE 1	NOTE 6	1	15687062401-9
9	CONTACT PIN	NOTE 3	NOTE 6	1	15687062401-8
8	INSULATOR	NOTE 4	NATURAL	1	15687062401-7
7	BODY	NOTE 1	NOTE 6	1	15687062401-6
6	HOUSING	NOTE 1	NOTE 5	1	15687062401-5
5	CONTACT PIN	NOTE 1	NOTE 6	2	1564077A1-5
4	INSULATOR	NOTE 4	NATURAL	2	1562076A1-4-B
3	BODY	NOTE 1	NOTE 5	2	1562076A1-3
2	GUT CONTACT	NOTE 3	NOTE 6	2	1561121G1-2
1	SHELL	NOTE 1	NOTE 5	2	1561121G1-1

出圖
87.12.04
R&D

NO.	DESCRIPTION	MATERIAL	FINISH	Q'TY	DRAWING NO.
15	LOCK RING			1	S931-750-3
14	NUT			1	RN108-9-05X23S
13	COVER			3	CV-895X07-T
12	RESISTOR			1	RS-766R-1/8W -1%
11	INSULATOR			2	15687062401-10
10	PIN			1	15687062401-9
9	CONTACT PIN			1	15687062401-8
8	INSULATOR			1	15687062401-7
7	BODY			1	15687062401-6
6	HOUSING			1	15687062401-5
5	CONTACT PIN			2	1564077A1-5
4	INSULATOR			2	1562076A1-4-B
3	BODY			2	1562076A1-3
2	GUT CONTACT			2	1561121G1-2
1	SHELL			2	1561121G1-1

DIMENSIONS ARE IN MILLIMETERS		PART NO.	
UNLESS OTHERWISE SPECIFIED TOLERANCES		APPROVED	
0.5-6 = ±0.2		DATE 12-02-98	
6-30 = ±0.4		CHECKED	
30-120 = ±0.6		DATE 12-02-98	
120-315 = ±1		DRAWN	
315-1000 = ±1.6		DATE 12-02-98	
1000-2000 = ±2.4			

		TITLE	
		1.6-5.6 M-F-M Y-LINK	
DRAWING NO.		KJ-1564077A1-N/3GT3G-75	
FILE NO.		F:\DWG\156\4077A1\75\N-3GT3G	

F
E
D
C
B
A

1 2 3 4 5 6 7 8
8/56-20010