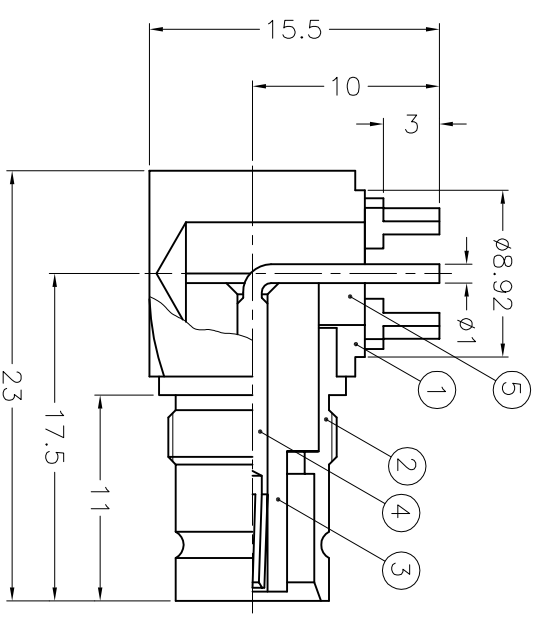
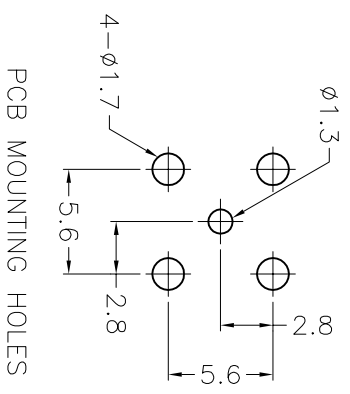
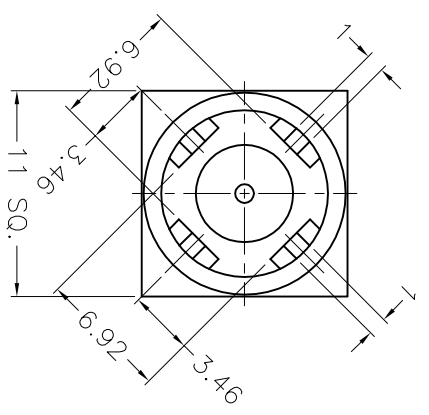


ISS	ZONE	DESCRIPTION	APPROVED	DATE
-----	------	-------------	----------	------

REVISIONS



- NOTES: FINISH (PLATING THICKNESS IN MICRO-INCHES)
1. BRASS PER QQ-B-626
 2. NICKEL PL. 100 MIN. THICK OVER COPPER STRIKE
 3. PHOSPHOR BRONZE PER QQ-B-750
 4. GOLD PL. 3 MIN. THICK OVER NICKEL PL. 100 MIN. THICK OVER COPPER STRIKE
 5. TEFLON MIL-P-19468

NO.	DESCRIPTION	MATERIAL	FINISH	Q'TY	DRAWING NO.
1	HOUSING	NOTE 1	NOTE 2	1	1566252M1-1
2	BODY	NOTE 1	NOTE 4	1	1566252M1-2
3	INSULATOR	NOTE 5	NATURAL	1	1566252M1-3T
4	CONTACT PIN	NOTE 3	NOTE 4	1	1566252M1-4
5	INSULATOR	NOTE 5	NATURAL	1	1566252M1-5T

DIMENSIONS ARE IN MILLIMETERS
UNLESS OTHERWISE SPECIFIED
TOLERANCES

- 0.5-6 = ±0.2
- 6-30 = ±0.4
- 30-120 = ±0.6
- 120-315 = ±1
- 315-1000 = ±1.6
- 1000-2000 = ±2.4

PART NO.	APPROVED	DATE
CHECKED	CHECKED	DATE
DRAWN	DRAWN	DATE

KAI JACK INDUSTRIAL CO., LTD.
TAINAN TAIWAN R.O.C.

TITLE
1.6-5.6 R/A P.C. MOUNT RECEIPT. JACK

DRAWING NO.
KJ-1566252M1-3GT3G-75

FILE NO. F:\DWG\156\6252M1\3GT3G-75

A 1 2 3 4 5 6 7 8

A