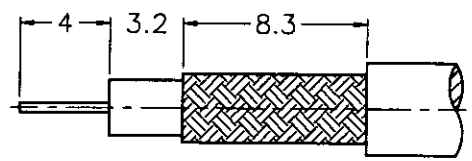
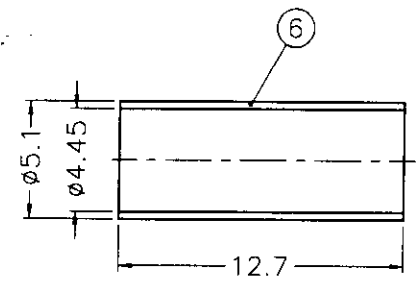
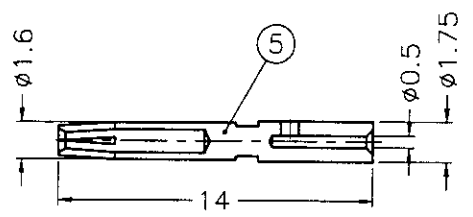
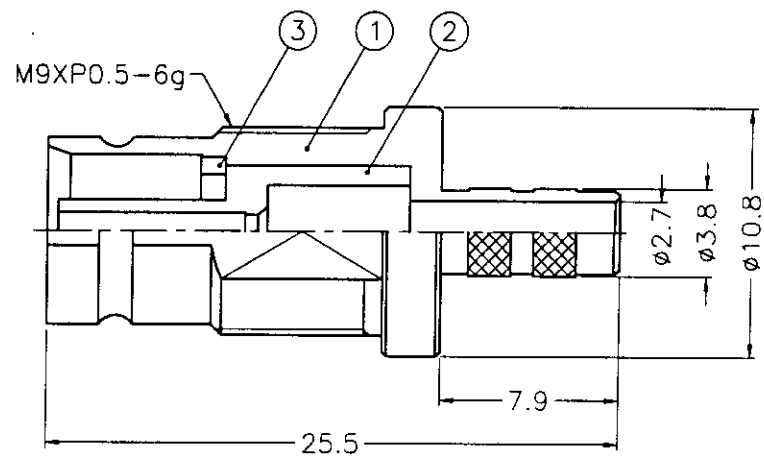
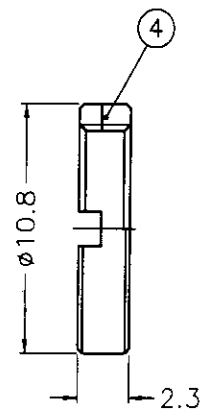


REVISIONS		
ISS	ZONE	DESCRIPTION\PER REQUEST\DATE
B	A-1	NO.5 WAS CHANGED\RD-DM89011701B\01-17-00'



RECOMMENDED
CABLE STRIPPING DIM'S
(建議剝線尺寸)

DALES



ISSUED
2002. 7. 26
RD

- NOTES: FINISH (PLATING THICKNESS IN MICRO-INCHES)
- BRASS PER QQ-B-626
 - NICKEL PL. 100 MIN. THICK OVER COPPER STRIKE
 - BERYLLIUM COPPER PER QQ-C-530
 - GOLD PL. 3 MIN. THICK OVER NICKEL PL. 100 MIN. THICK OVER COPPER STRIKE
 - TEFLON MIL-P-19468
 - JIS H 3250, C 2600

- CRIMPED FERRULE
HEX CRIMP SIZE .178"
- CRIMPED CONTACT PIN
HEX CRIMP SIZE .068"
- MAX. PANEL THICKNESS=3mm

NO.	DESCRIPTION	MATERIAL	FINISH	Q'TY	DRAWING NO.	SCALE	3/1	ISSUE	B	FILE NO.	ITEM NO.	
6	FERRULE			1	FR-51/445X127							
5	CONTACT PIN			1	1566421A1-58E-175/05-B							
4	NUT			1	RN108-9-05X23S							
3	LOCK RING			1	S931-750-3							
2	INSULATOR		NATURAL	1	1566421A1-3T-75							
1	BODY			1	1566421A1-1-38/27							
						DIMENSIONS ARE IN MILLIMETERS				PART NO.		
						UNLESS OTHERWISE SPECIFIED TOLERANCES				APPROVED <i>Andy.C</i> DATE 07-26-02'		
						0.5-6 = ±0.2				CHECKED <i>Andy.C</i> DATE 07-26-02'		
						6-30 = ±0.4				DRAWN <i>Andy.C</i> DATE 07-26-02'		
						30-120 = ±0.6						
						120-315 = ±1						
						315-1000 = ±1.6						
						1000-2000 = ±2.4						
											Amphenol - Kai Jack	
											TAINAN TAIWAN	
											TITLE 1.6/5.6 CRIMP JACK (FOR 2.5C2V CABLE)	
											DRAWING NO. KJ-1566421B1-N/3GT3G-2.5C2V-75	
											ITEM NO. 166421AAB27NF7F	