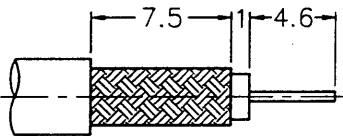
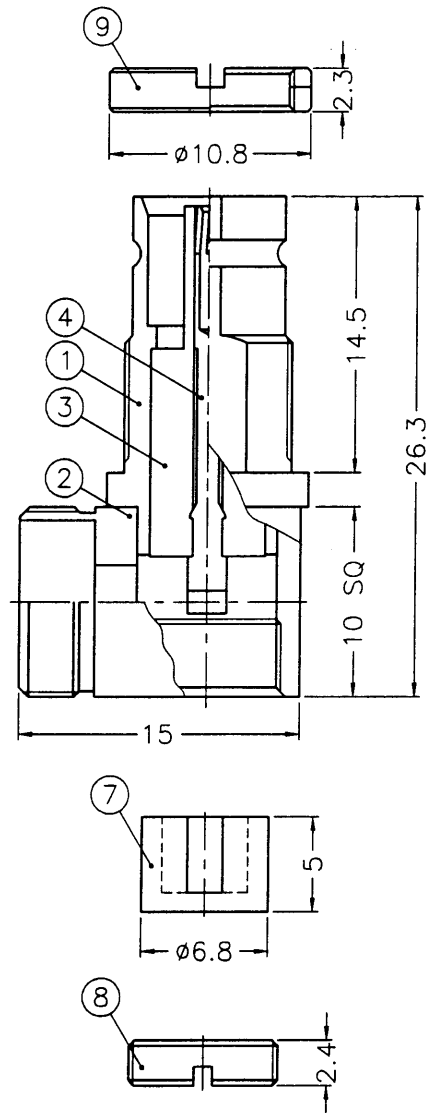


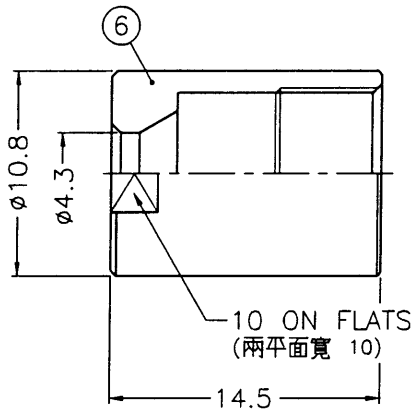
1 2 3 4 5 6 7 8

REVISIONS		
ISS	ZONE	DESCRIPTION\PER REQUEST\DATE
B	A-1	NO.3 WAS CHANGED\RD-DM88041901B\04-19-99'
C	A-1	NO.4 WAS CHANGED\RD-DM89011701B\01-17-00'

業務部



RECOMMENDED  
CABLE STRIPPING DIM'S  
(建議剝線尺寸)



NOTES: FINISH (PLATING THICKNESS IN MICRO-INCHES)

1. BRASS PER QQ-B-626
2. NICKEL PL. 100 MIN. THICK OVER COPPER STRIKE
3. PHOSPHOR BRONZE PER QQ-B-750
4. GOLD PL. 3 MIN. THICK OVER NICKEL PL. 100 MIN. THICK OVER COPPER STRIKE
5. TEFLON MIL-P-19468

出圖  
89. 7. 11  
設計部

9	NUT	NOTE 1	NOTE 2	1	RN108-9-05X23S
8	NUT	NOTE 1	NOTE 2	1	15687061606-5
7	INSULATOR	DELTRIN	NATURAL	1	15687061606-4
6	NUT	NOTE 1	NOTE 2	1	1566442A1-7-43
5	BRAID CLAMP	NOTE 1	NOTE 2	1	1566442A1-6-48 /26
4	CONTACT PIN	NOTE 3	NOTE 4	1	1566412A1-4-B
3	INSULATOR	NOTE 5	NATURAL	1	1566412A1-3-B
2	HOUSING	NOTE 1	NOTE 2	1	1566442A1-2-26
1	OUT CONTACT	NOTE 1	NOTE 4	1	1566412A1-1
NO.	DESCRIPTION	MATERIAL	FINISH	Q'TY	DRAWING NO.

DIMENSIONS ARE IN MILLIMETERS			
UNLESS OTHERWISE SPECIFIED TOLERANCES			
0.5-6	=	±0.2	
6-30	=	±0.4	
30-120	=	±0.6	
120-315	=	±1	
315-1000	=	±1.6	
1000-2000	=	±2.4	
SCALE	2.5/1	ISSUE	C

PART NO.	
APPROVED	DATE 07-10-00'
CHECKED	DATE 07-10-00'
DRAWN	DATE 07-10-00'

Amphenol - Kai Jack	
TAINAN TAIWAN	
TITLE	1.6-5.6 R/A CLAMP JACK
DRAWING NO.	KJ-1566442A1-N/3GT3G-2.5C2V-75
FILE NO.	F:\DWG\156\6442A1\25C2V\N-3GT3G

F

E

D

C

B

A

F

E

I

C

E

A

8 RDR 2128