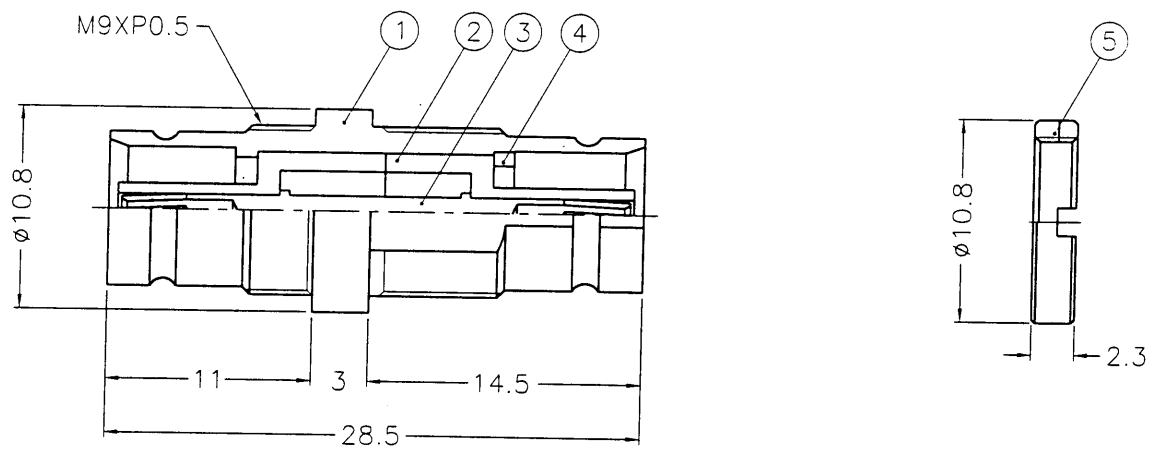


1 2 3 4 5 6 7 8


REVISIONS		
ISS	ZONE	DESCRIPTION\APPROVED\DATE



NOTES: FINISH (PLATING THICKNESS IN MICRO-INCHES)
 1. BRASS PER QQ-B-626
 2. NICKEL PL. 100 MIN. THICK OVER COPPER STRIKE
 3. PHOSPHOR BRONZE PER QQ-B-750
 4. GOLD PL. 3 MIN. THICK OVER NICKEL PL. 100 MIN. THICK OVER COPPER STRIKE
 5. TEFLON MIL-P-19468



DIMENSIONS ARE IN MILLIMETERS				PART NO.	
UNLESS OTHERWISE SPECIFIED TOLERANCES				APPROVED	
0.5-6	=	±0.2	DATE 12-01-98'		
6-30	=	±0.4	CHECKED		
30-120	=	±0.6	DATE 12-01-98'		
120-315	=	±1	DRAWN		
315-1000	=	±1.6	DATE 12-01-98'		
1000-2000	=	±2.4	SCALE 2.5/1 ISSUE A		

 KAI JACK INDUSTRIAL CO., LTD. TAINAN TAIWAN R.O.C.	
TITLE 1.6/5.6 FEMALE TO FEMALE BULKHEAD ADAPTOR	
DRAWING NO. KJ-1567471A1-N/3GT3G-75	
FILE NO. F:\DWG\156\7471A1\75\N-3GT3G	

NO.	DESCRIPTION	MATERIAL	FINISH	Q'TY	DRAWING NO.
5	NUT		NOTE 1	1	RN108-9-05X23S
4	LOCK RING		NOTE 1	1	S931-750-3
3	CONTACT PIN		NOTE 3	1	1567471A1-3
2	INSULATOR		NOTE 5	2	1567471A1-2
1	BODY		NOTE 1	1	1567471A1-1