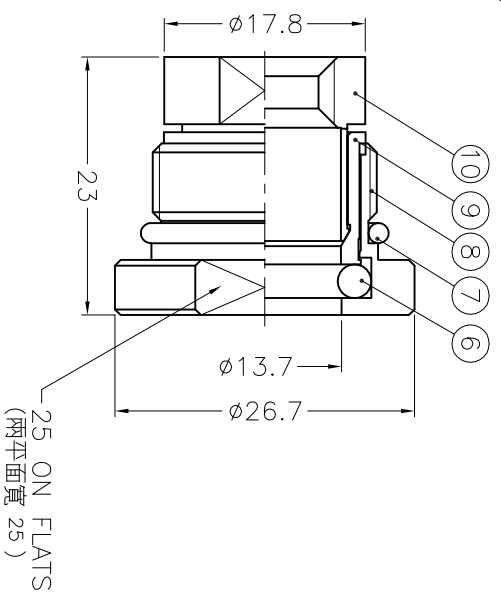
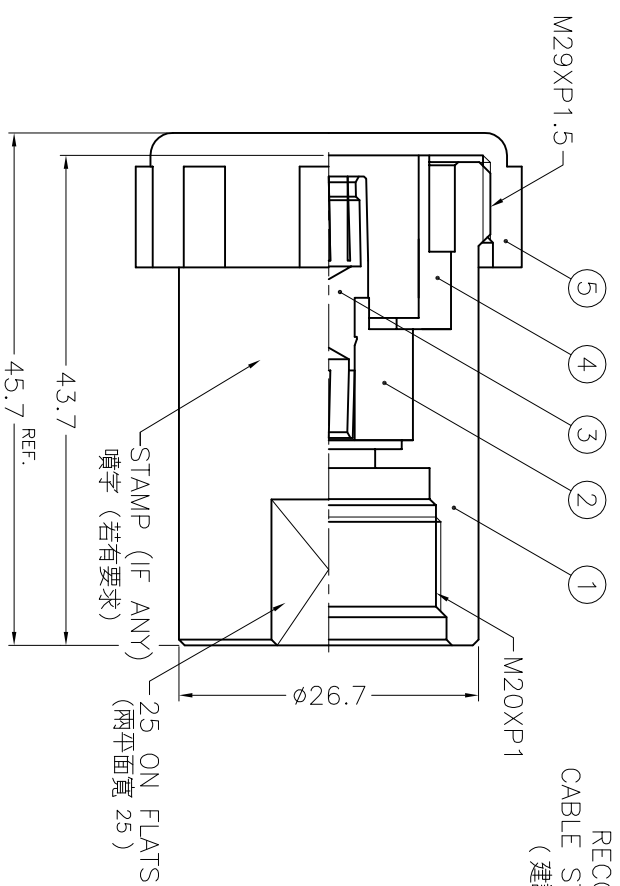
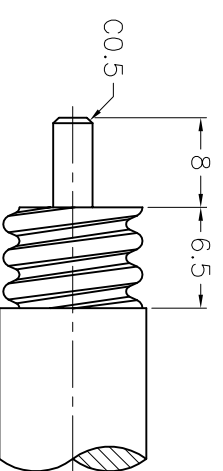


1	REVISIONS
2	DESCRIPTION \ PER REQUEST \ DATE
3	
4	
5	
6	
7	
8	



NOTES: FINISH (PLATING THICKNESS IN MICRO-INCHES)

1. BRASS PER QQ-B-626
2. ALBALOY PLATING (COPPER-TIN-ZINC)
3. BERYLLIUM COPPER PER QQ-C-530
4. SILVER PL. 200 MIN. THICK OVER COPPER STRIKE
5. TEFLON MIL-P-19468
6. BLUE, PER PANTONE 3005C

10	CLAMPER	NOTE 1	NOTE 2	1	7161141A1-8
9	RING	NOTE 1	NOTE 2	1	7161141A1-9
8	NUIT	NOTE 1	NOTE 2	1	7161141A1-10
7	GASKET	SILICONE	RED	1	GS-204/172XD16
6	GASKET	SILICONE	RED	1	GS-19/13XD3
5	COVER	PE	NOTE 6	1	7166141A1-9
4	OUT CONTACT	NOTE 1	NOTE 2	1	7166141A1-4
3	CONTACT PIN	NOTE 3	NOTE 4	1	7166141A1-3-B
2	INSULATOR	NOTE 5	NATURAL	1	7161141A1-2T-50
1	BODY	NOTE 1	NOTE 2	1	7166141A1-1

DIMENSIONS ARE IN MILLIMETERS  
UNLESS OTHERWISE SPECIFIED  
TOLERANCES

0.5-6 = ±0.2  
6-30 = ±0.4  
30-120 = ±0.6  
120-315 = ±1  
315-1000 = ±1.6  
1000-2000 = ±2.4

PART NO.	DATE
APPROVED	03-27-01'
CHECKED	DATE
DRAWN	03-27-01'

**Amphenol - Kai Jack**  
TAINAN TAIWAN

TITLE  
7/16 CLAMP JACK  
(FOR ANDREW 1/2" FSJ4-50B CORRUGATED CABLE)  
DRAWING NO.  
KJ-7166141A1-N/NTS-1/2-50  
FILE NO. F:\DWG\716\6141A1\12-50\NNTS

A B C D E F

A B C D E F