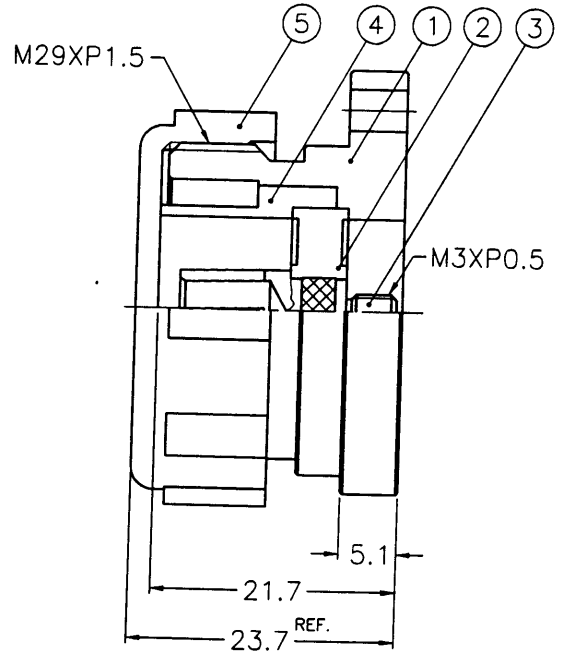
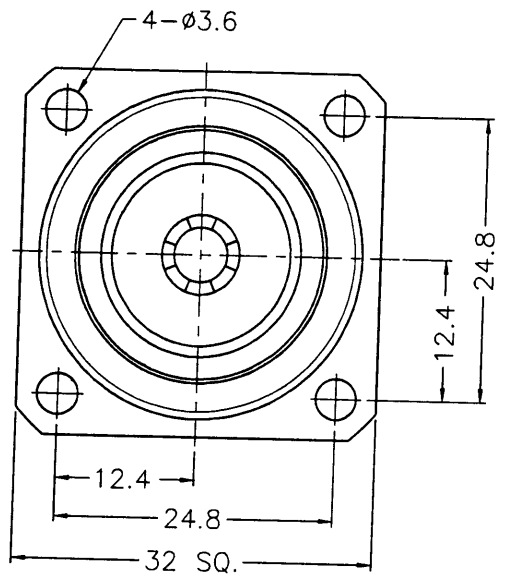


REVISIONS		
ISS	ZONE	DESCRIPTION\PER REQUEST\DATE

業務部



- NOTES: FINISH (PLATING THICKNESS IN MICRO-INCHES)
1. BRASS PER QQ-B-626
 2. SILVER PL. 120 MIN. THICK OVER COPPER STRIKE
 3. BERYLLIUM COPPER PER QQ-C-530
 4. SILVER PL. 200 MIN. THICK OVER COPPER STRIKE
 5. TEFLON MIL-P-19468
 6. BLUE, PER PANTONE 3005C



NO.	DESCRIPTION	MATERIAL	FINISH	Q'TY	DRAWING NO.
5	COVER	PE	NOTE 6	1	7166141A1-9
4	OUT CONTACT	NOTE 1	NOTE 2	1	7166551B1-4
3	CONTACT PIN	NOTE 3	NOTE 4	1	7166551B1-3
2	INSULATOR	NOTE 5	NATURAL	1	7166551B1-2T-50
1	BODY	NOTE 1	NOTE 2	1	7166551B1-1

DIMENSIONS ARE IN MILLIMETERS		
UNLESS OTHERWISE SPECIFIED TOLERANCES		
0.5-6	=	±0.2
6-30	=	±0.4
30-120	=	±0.6
120-315	=	±1
315-1000	=	±1.6
1000-2000	=	±2.4
SCALE	1.5/1	ISSUE A

PART NO.	
APPROVED	DATE
<i>Golden</i>	10-16-99'
CHECKED	DATE
<i>Golden</i>	10-16-99'
DRAWN	DATE
<i>Kalor</i>	10-16-99'

Amphenol - Kai Jack	
TAINAN TAIWAN	
TITLE 7/16 PANEL RECEPTACLE JACK WITH THREADED STUD M3	
DRAWING NO. KJ-7166551B1-120STS-50	
FILE NO. F:\DWG\716\6551B1\120STS	

8/16/2008