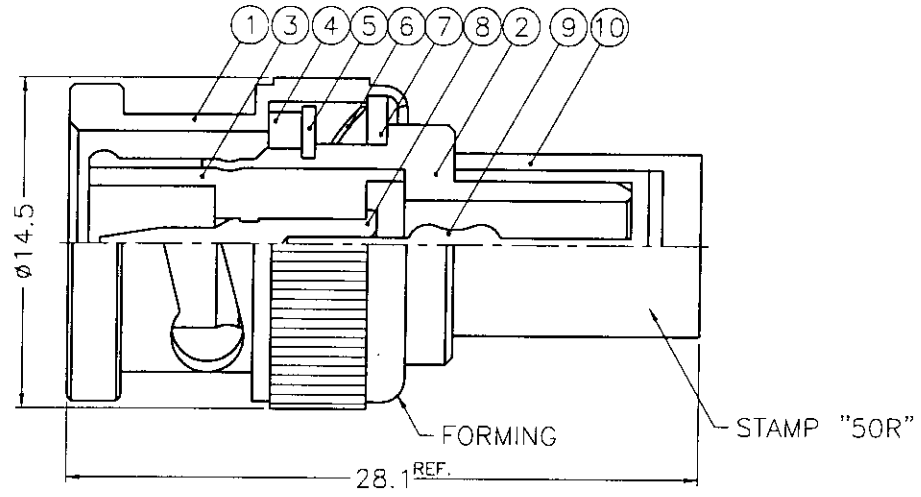


REVISIONS		
ISS	ZONE	DESCRIPTION\APPROVED\DATE
-	A-7	B1004A1 WAS B5209\TONY. T\06-02-93'
A	A-1	NO.3 WAS CHANGED\TONY. T\01-10-94'
B	A-1	NO.1 WAS CHANGED\TONY. T\12-30-94'
C	B-1	NO.8 WAS CHANGED\TONY. T\04-10-96'
D	A-1	DRAWING NO. WERE CHANGED ON NO.2, NO.4, NO.7,
	B-1	NO.8 AND NO.9\TONY. T\09-23-96'
E	B-1	NO.8 WAS CHANGED\TONY. T\04-01-97'

業務部



- NOTES: 1. PER KAI JACK SPEC. EP-SS-9700
 2. BRASS PER QQ-B-626
 3. BRASS PER QQ-B-613
 4. DELRIN 500F (B50000-3-50-A)
 TEFLON MIL-P-19468 (B50000-3T-50)

出圖
87.2.10
R&D

10	COVER	NOTE 2	NOTE 1	1	B5209-10
9	RESISTOR	50R		1	RS-50R-0.5W-5%
8	CONTACT PIN	NOTE 2	NOTE 1	1	B1004A1-8-3/07 WS
7	WASHER	NOTE 3	NOTE 1	1	WS-128/9X08
6	SPRING	SK5	NOTE 1	1	B50000-6
5	RETAINER RING	NOTE 2	NOTE 1	1	B50000-5
4	GASKET	RUBBER	RED	1	GS-115/8X15
3	INSULATOR	NOTE 4	NATURAL	1	NOTE 4
2	BODY	NOTE 2	NOTE 1	1	B50000-2-56/39
1	SHELL	NOTE 2	NOTE 1	1	B50000-1-B
NO.	DESCRIPTION	MATERIAL	FINISH	Q'TY	DRAWING NO.

DIMENSIONS ARE IN MILLIMETERS			PART NO.	
UNLESS OTHERWISE SPECIFIED TOLERANCES			APPROVED	DATE
0.5-6	= ±0.2		<i>Stacy</i>	02-06-98'
6-30	= ±0.4		CHECKED	DATE
30-120	= ±0.6		<i>Golden W</i>	02-06-98'
120-315	= ±1		DRAWN	DATE
315-1000	= ±1.6		<i>Tracy G</i>	02-06-98'
1000-2000	= ±2.4			
SCALE	3/1	ISSUE	E	

KAI JACK INDUSTRIAL CO., LTD. TAINAN TAIWAN R.O.C.	
TITLE	BNC TERMINATOR PLUG
DRAWING NO.	KJ-B1004A1-50R-0.5W
FILE NO.	F:\DWG\B\1004A1\50R-05W

F
E
D
C
B
A

F
E
D
C
B
A