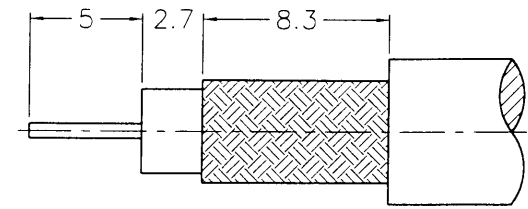
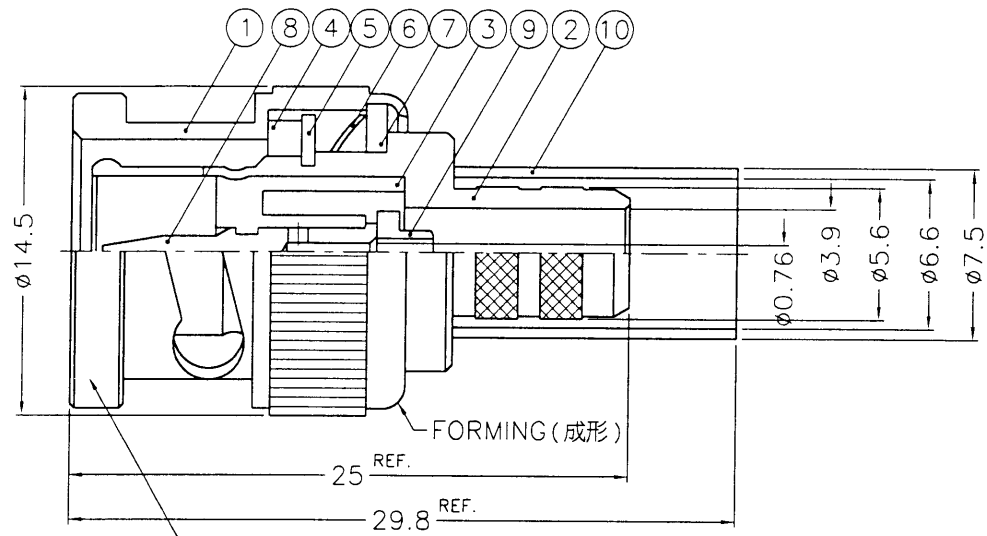


REVISIONS		
ISS	ZONE	DESCRIPTION\PER REQUEST\DATE
D	B-5	ADDED AN USER (ESO) \TONY. Y\08-15-98'
D1	B-5	USER (ESO) WAS DELETED\N/A\05-07-99'

業務部



RECOMMENDED
CABLE STRIPPING DIM'S
(建議剝線尺寸)

88.5.07
A & D

1. CRIMPED FERRULE
HEX CRIMP SIZE .255"
2. HEX CRIMP SIZE
FOR CENTER CONTACT .068"

NOTES: FINISH (PLATING THICKNESS IN MICRO-INCHES)
 1. BRASS PER QQ-B-626
 2. BRASS PER QQ-B-613
 3. NICKEL PL. 100 MIN. THICK OVER COPPER STRIKE
 4. NICKEL PL. 200 MIN. THICK OVER COPPER STRIKE
 5. GOLD PL. 3 MIN. THICK OVER NICKEL PL. 100 MIN. THICK OVER COPPER STRIKE
 6. JIS H 3250, C 2700

STAMP "AMPHENOL RFX"
EXCEPT AMPHENOL\ASF
(除AMPHENOL\ASF外,其餘噴字 "AMPHENOL RFX")

10	FERRULE	NOTE 6	NOTE 3	1	FR-75/66X127
9	INSULATOR	DELTRIN	NATURAL	1	B50000-11-36/1
8	CONTACT PIN	NOTE 1	NOTE 5	1	B50000-8-25/076
7	WASHER	NOTE 2	NOTE 3	1	WS-128/9X08
6	SPRING	SK5	NOTE 4	1	B50000-6
5	RETAINER RING	NOTE 1	NOTE 3	1	B50000-5
4	GASKET	RUBBER	RED	1	GS-115/8X15
3	INSULATOR	DELTRIN	NATURAL	1	B50000-3-75-A
2	BODY	NOTE 1	NOTE 3	1	B50000-2-56/39
1	SHELL	NOTE 1	NOTE 3	1	B50000-1-B
NO.	DESCRIPTION	MATERIAL	FINISH	Q'TY	DRAWING NO.

AMPHENOL\AEAL\ASF\CNPD

DIMENSIONS ARE IN MILLIMETERS		PART NO.		Amphenol - Kai Jack TAINAN TAIWAN	
UNLESS OTHERWISE SPECIFIED TOLERANCES		31-71008-RFX			
0.5-6 = ±0.2	6-30 = ±0.4	APPROVED	DATE	TITLE BNC CRIMP PLUG	
30-120 = ±0.6	120-315 = ±1	CHECKED	DATE		
315-1000 = ±1.6	1000-2000 = ±2.4	DRAWN	DATE		
SCALE	3/1	ISSUE	D1	DRAWING NO. KJ-B1121A1-ND3G-62AU-75	
				FILE NO. F:\DWG\APL\CNPD\RFX\31\71008\ND3G	

882941