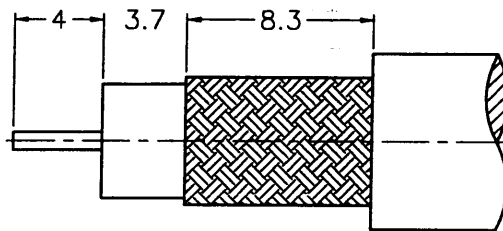
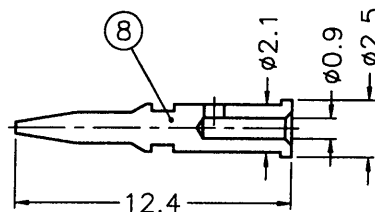


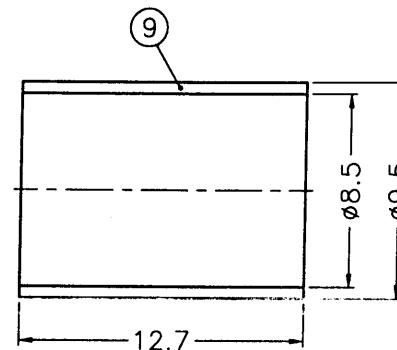
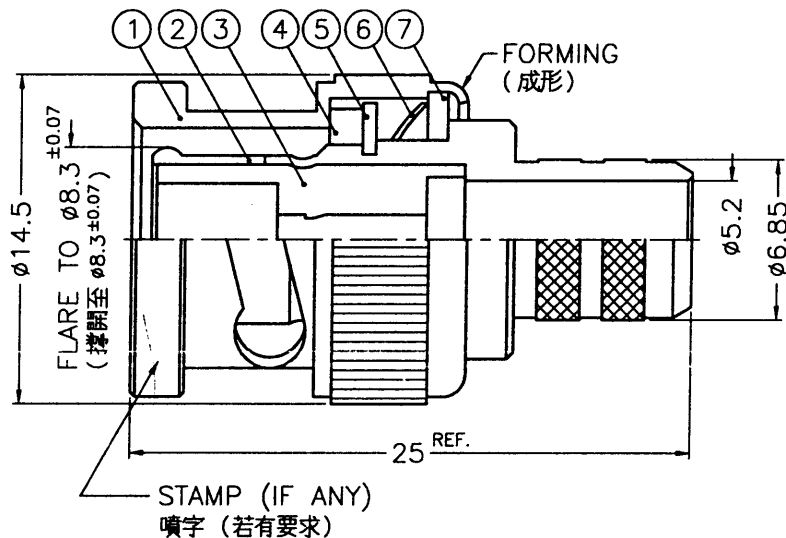
REVISIONS		
ISS	ZONE	DESCRIPTION \ PER REQUEST \ DATE



RECOMMENDED
CABLE STRIPPING DIM'S
(建議剝線尺寸)



SALES



NOTES: FINISH (PLATING THICKNESS IN MICRO-INCHES)

- BRASS PER QQ-B-626
- BRASS PER QQ-B-613
- NICKEL PL. 100 MIN. THICK OVER COPPER STRIKE
- NICKEL PL. 200 MIN. THICK OVER COPPER STRIKE
- GOLD PL. 3 MIN. THICK OVER NICKEL PL. 100 MIN. THICK OVER COPPER STRIKE

- CRIMPED FERRULE
HEX CRIMP SIZE .324"
- CRIMPED CONTACT PIN
HEX CRIMP SIZE .068"



NO.	DESCRIPTION	MATERIAL	FINISH	Q'TY	DRAWING NO.
9	FERRULE			1	FR-95/85X127
8	CONTACT PIN			1	B50000-8-25/09
7	WASHER			1	WS-128/9X08
6	SPRING	SK5		1	B50000-6
5	RETAINER RING			1	B50000-5
4	GASKET	RUBBER	RED	1	GS-115/8X15
3	INSULATOR	DELTRIN	NATURAL	1	B50000-3-50-A
2	BODY			1	B50000-2-685/52
1	SHELL			1	B50000-1-B

DIMENSIONS ARE IN MILLIMETERS
UNLESS OTHERWISE SPECIFIED TOLERANCES
0.5-6 = ±0.2
6-30 = ±0.4
30-120 = ±0.6
120-315 = ±1
315-1000 = ±1.6
1000-2000 = ±2.4

PART NO.	
APPROVED	DATE 04-08-02'
CHECKED	DATE 04-08-02'
DRAWN	DATE 04-08-02'
FILE NO.	F:\DWG\B\1121A1\8281-50\ND3G

Amphenol - Kai Jack	
TAINAN TAIWAN	
TITLE	BNC CRIMP PLUG
DRAWING NO.	KJ-B1121A1-ND3G-8281-50
ITEM NO.	011121AAA82ND5F