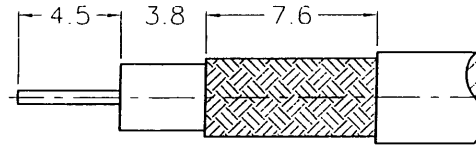
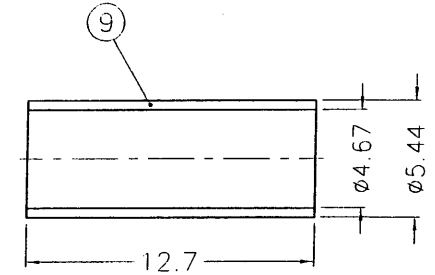
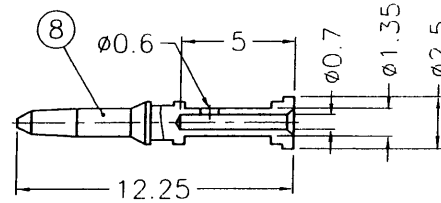
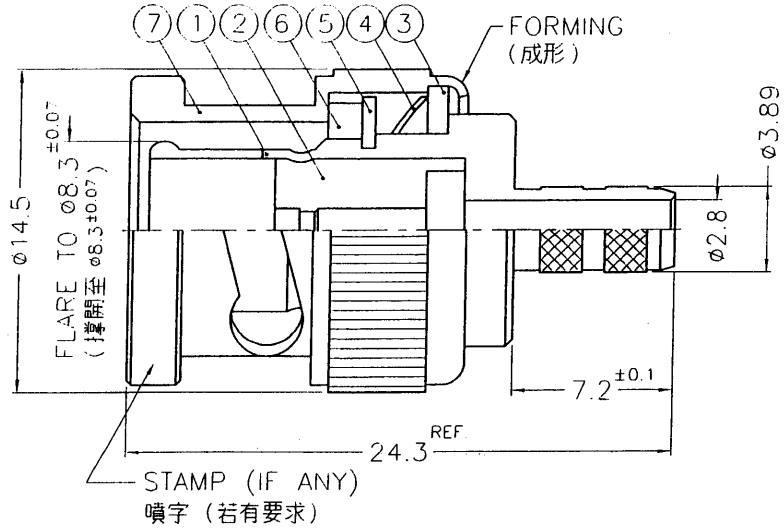


| REVISIONS |      |  |
|-----------|------|--|
| ISS       | ZONE | DESCRIPTION\PER REQUEST\DATE                                 |
| B         | A-3  | NO 1, NO 8 AND NO 9 WERE CHANGED\RD-DA93102201W<br>11-02-04  |
| C         | A-3  | NO 1, NO 9 AND NO 9 WERE CHANGED\RD-DA05011802J\<br>01-18-05 |



RECOMMENDED  
CABLE STRIPPING DIM'S  
(建議剝線尺寸)



NOTES: FINISH (PLATING THICKNESS IN MICRO-INCHES)

1. BRASS PER QQ-B-626
2. BRASS PER QQ-B-613
3. NICKEL PL. 100 MIN. THICK OVER COPPER STRIKE
4. NICKEL PL. 200 MIN. THICK OVER COPPER STRIKE
5. GOLD PL. 3 MIN. THICK OVER NICKEL PL. 100 MIN. THICK OVER COPPER STRIKE
6. TEFLON MIL-P-19468
7. JIS H 3250, C 2600

1. CRIMPED CONTACT PIN  
SQ. CRIMP SIZE .042"/.043"

| NO. | DESCRIPTION   | MATERIAL | FINISH  | Q'TY | DRAWING NO.  | SCALE | 3/1 | ISSUE | C | FILE NO. | F:\DWG\B\1121A8\008\75\NT3G-C |
|-----|---------------|----------|---------|------|--------------|-------|-----|-------|---|----------|-------------------------------|
| 9   | FERRULE       |          |         | 1    | FR00ADU19B   |       |     |       |   |          |                               |
| 8   | CONTACT PIN   |          |         | 1    | CP01ARN01A   |       |     |       |   |          |                               |
| 7   | SHELL         |          |         | 1    | B50000-1-B   |       |     |       |   |          |                               |
| 6   | GASKET        | RUBBER   | RED     | 1    | GS-115/8X15  |       |     |       |   |          |                               |
| 5   | RETAINER RING |          |         | 1    | B50000-5     |       |     |       |   |          |                               |
| 4   | SPRING        | SK5      |         | 1    | B50000-6     |       |     |       |   |          |                               |
| 3   | WASHER        |          |         | 1    | WS-128/9X08  |       |     |       |   |          |                               |
| 2   | INSULATOR     |          | NATURAL | 1    | B50000-3T-75 |       |     |       |   |          |                               |
| 1   | BODY          |          |         | 1    | B001ALR03B   |       |     |       |   |          |                               |

| DIMENSIONS ARE IN MILLIMETERS         |  | PART NO.           |          |
|---------------------------------------|--|--------------------|----------|
| UNLESS OTHERWISE SPECIFIED TOLERANCES |  | APPROVED           | DATE     |
| 0.5-6 = ±0.2                          |  | <i>[Signature]</i> | 01-18-05 |
| 6-30 = ±0.4                           |  | CHECKED            | DATE     |
| 30-120 = ±0.6                         |  | <i>[Signature]</i> | 01-18-05 |
| 120-315 = ±1                          |  | DRAWN              | DATE     |
| 315-1000 = ±1.6                       |  | <i>[Signature]</i> | 01-18-05 |
| 1000-2000 = ±2.4                      |  |                    |          |

|   |  |
|---|--|
| <b>Amphenol</b>                             |  |
| Danbury,CT,USA-Tainan,Taiwan-Shenzhen,China |  |
| TITLE<br>BNC CRIMP PLUG                     |  |
| DRAWING NO.<br>B1121A8-008-NT3G-75          |  |
| ITEM NO.<br>011121AAYA6NA7F                 |  |