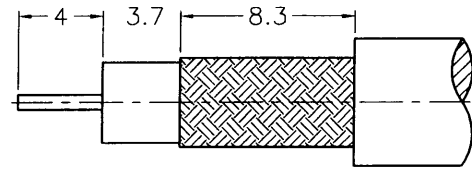
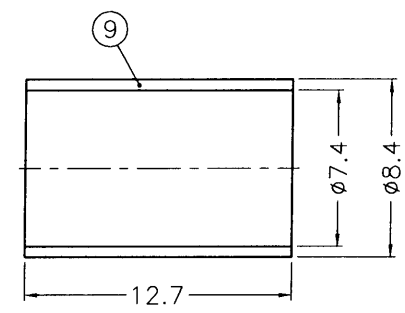
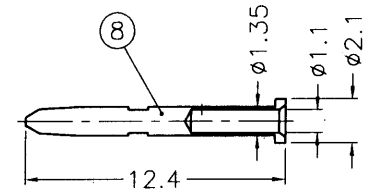
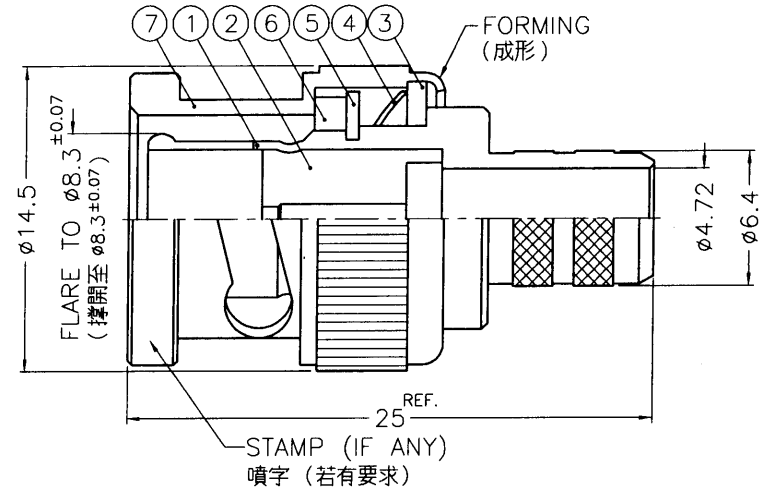


1 2 3 4 5 6 7 8

REVISIONS		
ISS	ZONE	DESCRIPTION\PER REQUEST\DATE



RECOMMENDED
CABLE STRIPPING DIM'S
(建議剝線尺寸)



- NOTES: FINISH (PLATING THICKNESS IN MICRO-INCHES)
- BRASS PER QQ-B-626
 - BRASS PER QQ-B-613
 - NICKEL PL. 100 MIN. THICK OVER COPPER STRIKE
 - NICKEL PL. 200 MIN. THICK OVER COPPER STRIKE
 - GOLD PL. 3 MIN. THICK OVER NICKEL PL. 100 MIN. THICK OVER COPPER STRIKE
 - TEFLON MIL-P-19468
 - JIS H 3250, C 2600

1. CRIMPED CONTACT PIN
SQ. CRIMP SIZE .043"

9	FERRULE	NOTE 7	NOTE 3	1	FR00AAC94A
8	CONTACT PIN	NOTE 1	NOTE 5	1	10-03001-204-8-1.1
7	SHELL	NOTE 1	NOTE 3	1	B50000-1-B
6	GASKET	RUBBER	RED	1	GS-115/8X15
5	RETAINER RING	NOTE 1	NOTE 3	1	B50000-5
4	SPRING	SK5	NOTE 4	1	B50000-6
3	WASHER	NOTE 2	NOTE 3	1	WS-128/9X08
2	INSULATOR	NOTE 6	NATURAL	1	10-03001-204-3-A
1	BODY	NOTE 1	NOTE 3	1	BDO1AAA53-
NO.	DESCRIPTION	MATERIAL	FINISH	Q'TY	DRAWING NO.

DIMENSIONS ARE IN MILLIMETERS				PART NO.	
UNLESS OTHERWISE SPECIFIED TOLERANCES 0.5-6 = ±0.2 6-30 = ±0.4 30-120 = ±0.6 120-315 = ±1 315-1000 = ±1.6 1000-2000 = ±2.4				APPROVED	DATE
					07-20-04'
				CHECKED	DATE
					07-20-04'
DRAWN ENYA				DATE	DATE
				07-20-04'	07-20-04'
SCALE	3/1	ISSUE	A1	FILE NO.	F:\DWG\B\1121A9\037\75\NT3G-TEST

Amphenol
Danbury,CT,USA-Tainan,Taiwan-Shenzhen,China

TITLE: BNC CRIMP PLUG

DRAWING NO. B1121A9-037-NT3G-75

ITEM NO. 011121AAFB3NA7F

F
E
D
C
B
A

F
E
D
C
B
A

1 2 3 4 5 6 7 8