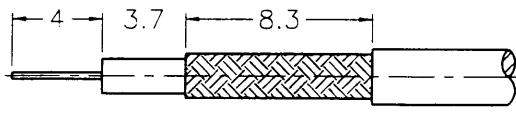
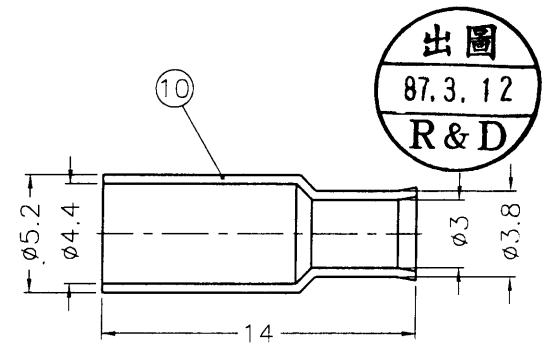
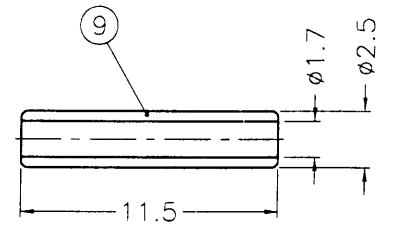
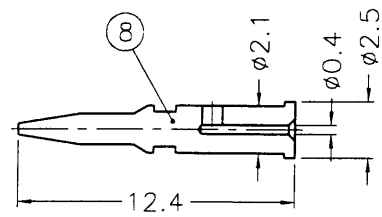
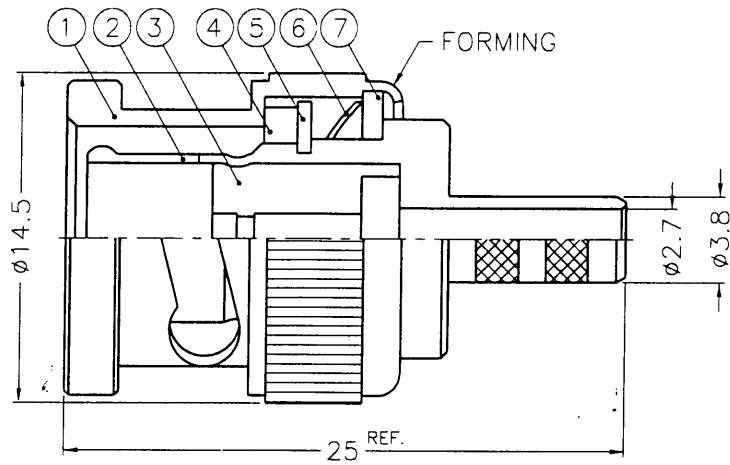


REVISIONS		
ISS	ZONE	DESCRIPTION\APPROVED\DATE

業務部



RECOMMENDED
CABLE STRIPPING DIM'S



- NOTES: 1. PER KAI JACK SPEC. EP-SS-9700
 2. BRASS PER QQ-B-626
 3. BRASS PER QQ-B-613
 4. DELRIN 500F (B50000-3-75-A)
 TEFLON MIL-P-19468 (B50000-3T-75)
 5. JIS H 3260, C 3501

10	FERRULE	NOTE 5	NOTE 1	1	FR-52/44-38/3 X14
9	SLEEVE	DELRIN	NATURAL	1	SL-25/17X115
8	CONTACT PIN	NOTE 2	NOTE 1	1	B50000-8-25/04
7	WASHER	NOTE 3	NOTE 1	1	WS-128/9X08
6	SFRING	SK5	NOTE 1	1	B50000-6
5	RETAINER RING	NOTE 2	NOTE 1	1	B50000-5
4	GASKET	RUBBER	RED	1	GS-115/8X15
3	INSULATOR	NOTE 4	NATURAL	1	NOTE 4
2	BODY	NOTE 2	NOTE 1	1	B50000-2-38/27
1	SHELL	NOTE 2	NOTE 1	1	B50000-1-B
NO.	DESCRIPTION	MATERIAL	FINISH	Q'TY	DRAWING NO.

DIMENSIONS ARE IN MILLIMETERS			PART NO.	
UNLESS OTHERWISE SPECIFIED TOLERANCES			APPROVED	DATE
0.5-6	= ±0.2		<i>Stouy E</i>	03-09-98'
6-30	= ±0.4		CHECKED	DATE
30-120	= ±0.6		<i>Gallm, W</i>	03-09-98'
120-315	= ±1		DRAWN	DATE
315-1000	= ±1.6		<i>Shaly. W</i>	03-09-98'
1000-2000	= ±2.4			
SCALE	3/1	ISSUE	A	

<p>KAI JACK INDUSTRIAL CO., LTD. TAINAN TAIWAN R.O.C.</p>	
TITLE	BNC CRIMP PLUG
DRAWING NO.	KJ-B1121E2-179U-75
FILE NO.	F:\DWG\B\1121E2\179U-75

F
E
D
C
B
A

F
E
D
C
B
A