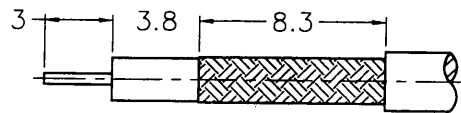
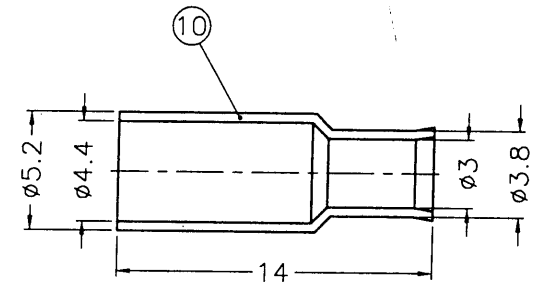
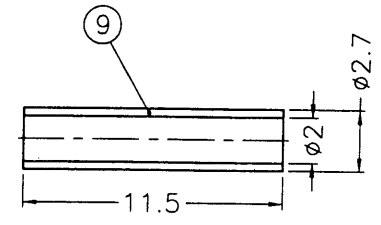
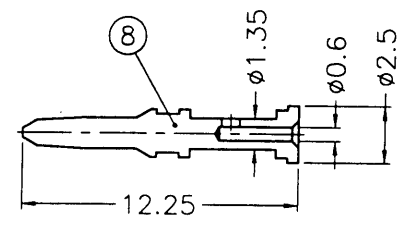
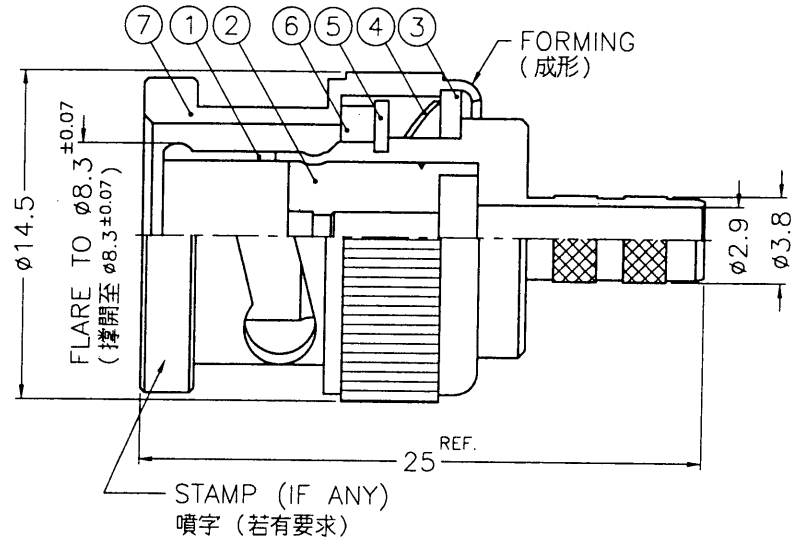


REVISIONS		
ISS	ZONE	DESCRIPTION\PER REQUEST\DATE



RECOMMENDED
CABLE STRIPPING DIM'S
(建議剝線尺寸)



- NOTES: FINISH (PLATING THICKNESS IN MICRO-INCHES)
- BRASS PER QQ-B-626
 - BRASS PER QQ-B-613
 - NICKEL PL. 100 MIN. THICK OVER COPPER STRIKE
 - NICKEL PL. 200 MIN. THICK OVER COPPER STRIKE
 - GOLD PL. 3 MIN. THICK OVER NICKEL PL. 100 MIN. THICK OVER COPPER STRIKE
 - TEFLON MIL-P-19468

- CRIMPED FERRULE
HEX CRIMP SIZE .178"
- CRIMPED CONTACT PIN
HEX CRIMP SIZE .043"

NO.	DESCRIPTION	MATERIAL	FINISH	Q'TY	DRAWING NO.
10	FERRULE	NOTE 1	NOTE 3	1	FR-52/44-38/3 X14
9	SLEEVE	DELRIN	NATURAL	1	SL-27/2X115
8	CONTACT PIN	NOTE 1	NOTE 5	1	B1121C8-8-25 /06
7	SHELL	NOTE 1	NOTE 3	1	B50000-1-B
6	GASKET	RUBBER	RED	1	GS-115/BX15
5	RETAINER RING	NOTE 1	NOTE 3	1	B50000-5
4	SPRING	SK5	NOTE 4	1	B50000-6
3	WASHER	NOTE 2	NOTE 3	1	WS-128/9X08
2	INSULATOR	NOTE 6	NATURAL	1	NS01AGS01A
1	BODY	NOTE 1	NOTE 3	1	B50000-2-38/29

DIMENSIONS ARE IN MILLIMETERS
UNLESS OTHERWISE SPECIFIED TOLERANCES
0.5-6 = ±0.2
6-30 = ±0.4
30-120 = ±0.6
120-315 = ±1
315-1000 = ±1.6
1000-2000 = ±2.4

PART NO.	BNC-16	
APPROVED	<i>Karl J.</i>	DATE 01-20-03'
CHECKED	<i>Karl J.</i>	DATE 01-20-03'
DRAWN	ANGELA	DATE 01-20-03'
FILE NO.	F:\DWG\B\1121E8\006\75\NT3G	

Amphenol
Danbury, CT, USA - Tainan, Taiwan - Shenzhen, China

TITLE: BNC CRIMP PLUG

DRAWING NO.: B1121E8-006-NT3G-75

ITEM NO.:

F
E
D
C
B
A

F
E
D
C
B
A