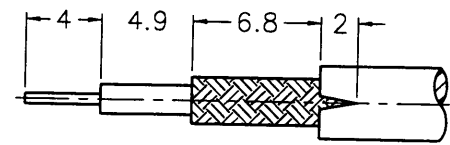
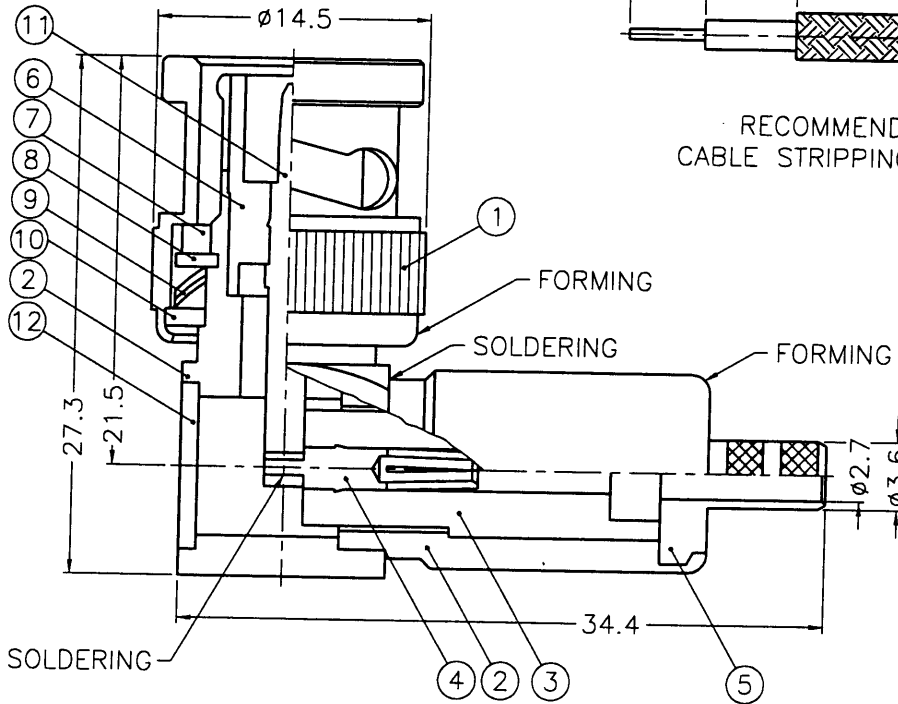


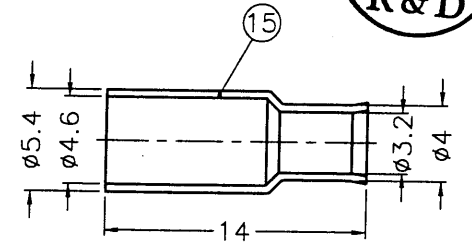
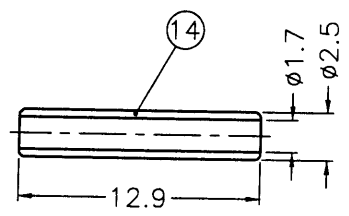
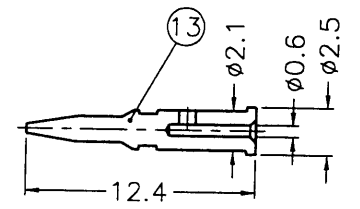
REVISIONS		
ISS	ZONE	DESCRIPTION\APPROVED\DATE
-	A-7	B1122E1 WAS B50902\TONY. T\01-30-93'
A	B-1	NO.11 WAS CHANGED\TONY. T\04-21-94'
B	A-1	NO.2 WAS CHANGED\TONY. T\12-05-94'
		NO.1 WAS CHANGED\TONY. T\12-30-94'
		NO.3 WAS CHANGED\TONY. T\01-13-95'
	B-1	NO.6 WAS CHANGED\TONY. T\09-30-94'
	C-1	NO.14 WAS CHANGED\TONY. T\01-19-95'
C	B-1	NO.12 WAS CHANGED\TONY. T\06-23-95'
D	A-1	DRAWING NO. WERE CHANGED ON NO.5, NO.7, NO.10,
	B-1	NO.12, NO.13 NO.14 AND NO.15\TONY. T\09-23-96'
	B-1	NO.9 WAS CHANGED\TONY. T\05-09-97'
	A-1	NO.2 WAS CHANGED\TONY. T\12-08-97'

- NOTES: 1. PER KAI JACK SPEC. EP-SS-9700  
 2. BRASS PER QQ-B-626  
 3. BRASS PER QQ-B-613  
 4. PHOSPHOR BRONZE PER QQ-B-750  
 5. DELRIN 500F (B50900-4-50-A)  
 TEFLON MIL-P-1946B (B50900-4T-50-A)  
 6. DELRIN 500F (B50002-3-50)  
 TEFLON MIL-P-1946B (ATC B-3000-3T-50)  
 7. JIS H 3260, C 3501

15	FERRULE	NOTE 7	NOTE 1	1	FR-54/46-4/32X14
14	SLEEVE	DELRIN	NATURAL	1	SL-25/17X129
13	CONTACT PIN	NOTE 2	NOTE 1	1	B50000-8-25/06
12	COVER	NOTE 3	NOTE 1	1	CV-895X07-T
11	CONTACT PIN	NOTE 2	NOTE 1	1	B5091-6-50
10	WASHER	NOTE 3	NOTE 1	1	WS-128/9X08
9	SPRING	SK5	NOTE 1	2	B50000-6
8	RETAINER RING	NOTE 2	NOTE 1	1	B50000-5
7	GASKET	RUBBER	RED	1	GS-115/8X15
6	INSULATOR	NOTE 6	NATURAL	1	NOTE 6
5	BARREL	NOTE 2	NOTE 1	1	B50900-6-36/27S
4	CONTACT PIN	NOTE 4	NOTE 1	1	B50900-5
3	INSULATOR	NOTE 5	NATURAL	1	NOTE 5
2	HOUSING WITH BODY	NOTE 2	NOTE 1	1	B1122A1-2S
1	SHELL	NOTE 2	NOTE 1	1	B50000-1-B
NO.	DESCRIPTION	MATERIAL	FINISH	Q'TY	DRAWING NO.



RECOMMENDED CABLE STRIPPING DIM'S



業務部

出圖  
87.2.12  
R&D

DIMENSIONS ARE IN MILLIMETERS  
 UNLESS OTHERWISE SPECIFIED TOLERANCES  
 0.5-6 = ±0.2  
 6-30 = ±0.4  
 30-120 = ±0.6  
 120-315 = ±1  
 315-1000 = ±1.6  
 1000-2000 = ±2.4

PART NO.	
APPROVED	DATE 01-12-98'
CHECKED	DATE 01-12-98'
DRAWN	DATE 01-12-98'

KAI JACK INDUSTRIAL CO., LTD. TAINAN TAIWAN R.O.C.	
TITLE	BNC R/A CRIMP PLUG
DRAWING NO.	KJ-B1122E1-316U/D-50
FILE NO.	F:\DWG\B\1122E1\316UD-50