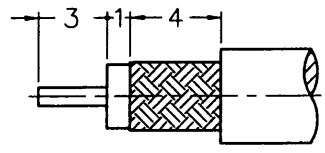
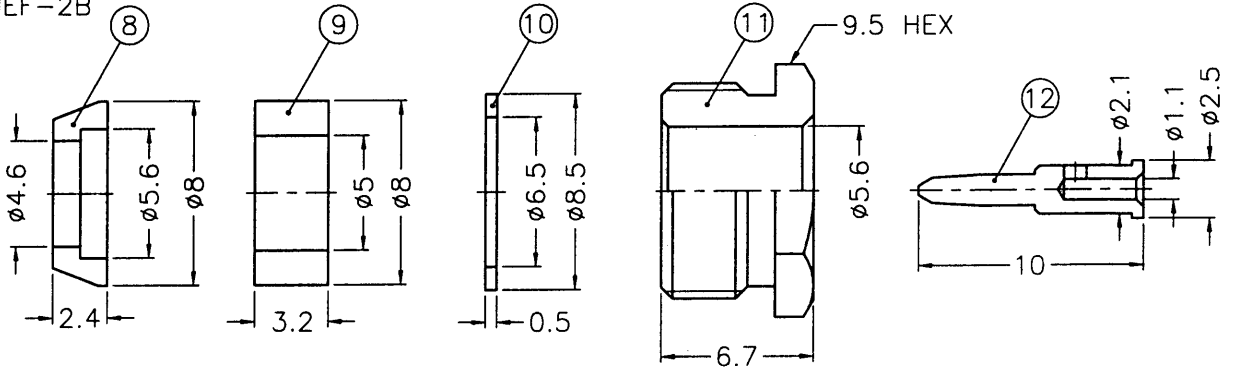
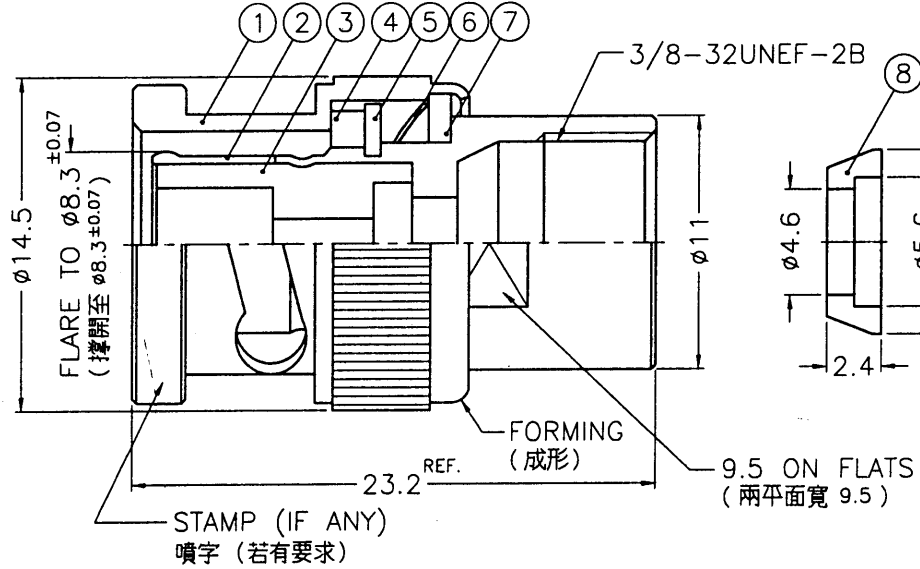


REVISIONS		
ISS	ZONE	DESCRIPTION\PER REQUEST\DATE
B	B-3	NO.8 AND NO.11 WERE CHANGED\RD-DM92012402W\ 01-24-03'



RECOMMENDED
CABLE STRIPPING DIM'S
(建議剝線尺寸)

SALES



NOTES: FINISH (PLATING THICKNESS IN MICRO-INCHES)
 1. BRASS PER QQ-B-626
 2. BRASS PER QQ-B-613
 3. NICKEL PL. 100 MIN. THICK OVER COPPER STRIKE
 4. NICKEL PL. 200 MIN. THICK OVER COPPER STRIKE
 5. GOLD PL. 3 MIN. THICK OVER NICKEL PL. 100 MIN. THICK OVER COPPER STRIKE

12	CONTACT PIN	NOTE 1	NOTE 5	1	B3000-8-25/11
11	HEX NUT	NOTE 1	NOTE 3	1	HN00AAF14A
10	WASHER	NOTE 2	NOTE 3	1	WS-85/65X05
9	GASKET	SILICONE	RED	1	GS-8/5X32
8	TOP HAT	NOTE 1	NOTE 3	1	TH00AAA06A
7	WASHER	NOTE 2	NOTE 3	1	WS-128/9X08
6	SPRING	SK5	NOTE 4	1	B50000-6
5	RETAINER RING	NOTE 1	NOTE 3	1	B50000-5
4	GASKET	RUBBER	RED	1	GS-115/8X15
3	INSULATOR	DELTRIN	NATURAL	1	B50002-3-50
2	BODY	NOTE 1	NOTE 3	1	B5205-2
1	SHELL	NOTE 1	NOTE 3	1	B50000-1-B
NO.	DESCRIPTION	MATERIAL	FINISH	Q'TY	DRAWING NO.

1. CRIMPED CONTACT PIN
HEX CRIMP SIZE .068"

DIMENSIONS ARE IN MILLIMETERS				PART NO.	
UNLESS OTHERWISE SPECIFIED TOLERANCES 0.5-6 = ±0.2 6-30 = ±0.4 30-120 = ±0.6 120-315 = ±1 315-1000 = ±1.6 1000-2000 = ±2.4				APPROVED	DATE
				CHECKED	DATE
				DRAWN	DATE
SCALE	3/1	ISSUE	B	FILE NO.	F:\DWG\BA\1141C1\58U-50\ND3G

Amphenol	
Danbury,CT,USA-Tainan,Taiwan-Shenzhen,China	
TITLE	BNC CLAMP PLUG (FOR RG-58C/U, 58/U, 142A/U, 223/U)
DRAWING NO.	B1141C1-ND3G-58U-50
ITEM NO.	011141AAA58ND5F

7 RD-DR 120058