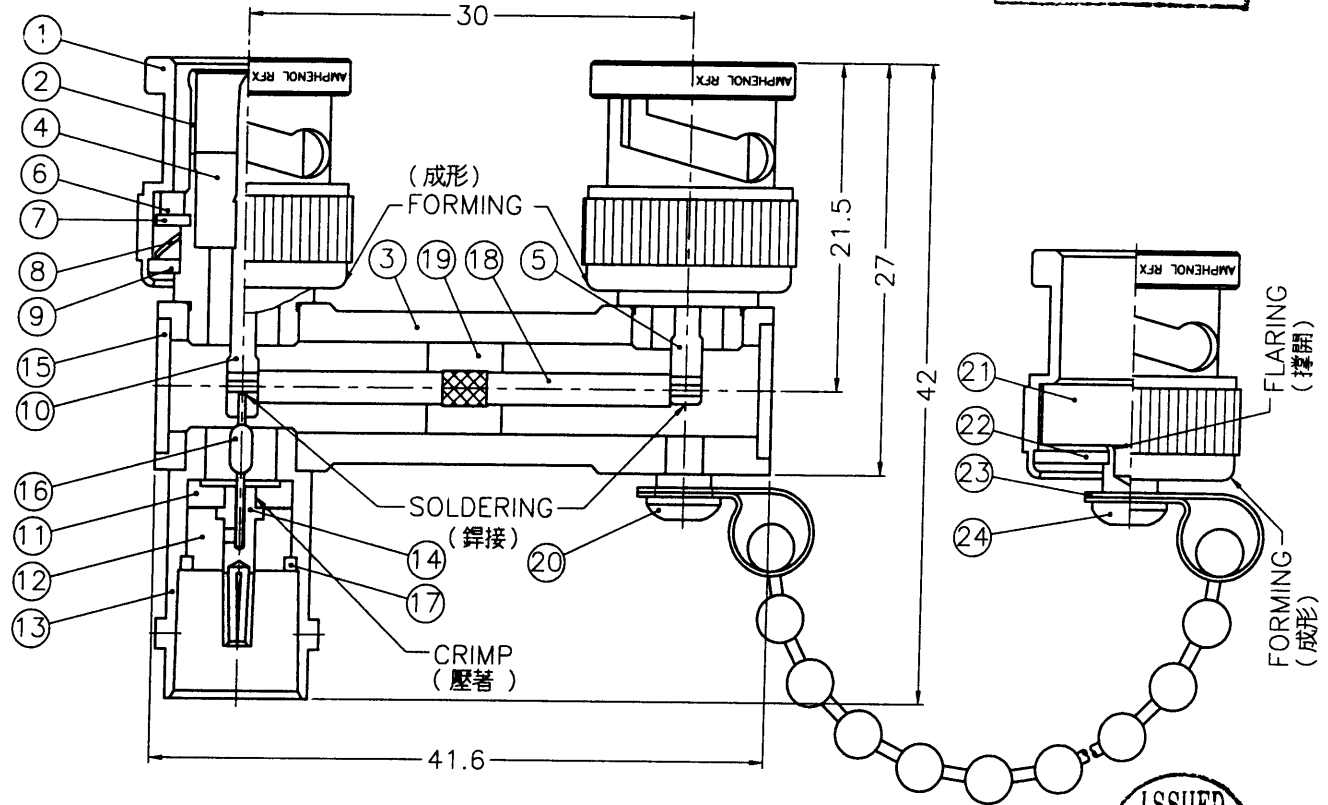


| REVISIONS | | |
|-----------|------|---|
| ISS | ZONE | DESCRIPTION\PER REQUEST\DATE |
| A | A-7 | B4070A1-ND3G-75 WAS S384-08075-ND3G\N/A\10-08-01' |
| A1 | C-3 | RV00AAA01B WAS S384-08075-20-B\N/A\10-23-01' |

NOTES: FINISH (PLATING THICKNESS IN MICRO-INCHES)

1. BRASS PER QQ-B-626
2. BRASS PER QQ-B-613
3. NICKEL PL. 100 MIN. THICK OVER COPPER PL. 300 MIN. THICK
4. NICKEL PL. 100 MIN. THICK OVER COPPER STRIKE
5. NICKEL PL. 200 MIN. THICK OVER COPPER STRIKE
6. PHOSPHOR BRONZE PER QQ-B-750
7. GOLD PL. 3 MIN. THICK OVER NICKEL PL. 100 MIN. THICK OVER COPPER STRIKE
8. TEFLON MIL-P-19468
9. ZINC DIECAST

| | | | | | |
|----|---------------|----------|---------|---|------------------|
| 24 | RIVET | NOTE 1 | NOTE 4 | 1 | B500-5 |
| 23 | CHAIN | NOTE 1 | NOTE 4 | 1 | B500-4X100 |
| 22 | WASHER | NOTE 2 | NOTE 4 | 1 | WS-128/31X08 |
| 21 | GASKET | SILICONE | RED | 1 | GS-12X4 |
| 20 | RIVET | NOTE 1 | NOTE 4 | 1 | RV00AAA01B |
| 19 | INSULATOR | NOTE 8 | NATURAL | 1 | B207600-32-10 |
| 18 | CONTACT PIN | NOTE 1 | NOTE 7 | 1 | B2076A1-11 |
| 17 | LOCK RING | NOTE 1 | NOTE 4 | 1 | B5071A1-4 |
| 16 | RESISTOR | 75R | 0.125W | 1 | RS-75R-0.125W-1% |
| 15 | COVER | NOTE 2 | NOTE 4 | 2 | CV-895X07-T |
| 14 | CONTACT PIN | NOTE 6 | NOTE 7 | 1 | B6141A1-3-21/06 |
| 13 | BODY | NOTE 1 | NOTE 4 | 1 | S38-4082-75-13 |
| 12 | INSULATOR | DELTRIN | NATURAL | 1 | B7200-2-75 |
| 11 | INSULATOR | DELTRIN | NATURAL | 1 | B7200-4-50 |
| 10 | CONTACT PIN | NOTE 1 | NOTE 7 | 1 | S384-08075-10 |
| 9 | WASHER | NOTE 2 | NOTE 4 | 2 | WS-128/9X08 |
| 8 | SPRING | SK5 | NOTE 5 | 2 | B50000-6 |
| 7 | RETAINER RING | NOTE 1 | NOTE 4 | 2 | B50000-5 |
| 6 | GASKET | RUBBER | RED | 2 | GS-115/8X15 |
| 5 | CONTACT PIN | NOTE 1 | NOTE 7 | 1 | B5091-6-75-B |
| 4 | INSULATOR | DELTRIN | NATURAL | 2 | B5091-5-75-B |
| 3 | HOUSING | NOTE 1 | NOTE 4 | 1 | S384-08075-3-B |
| 2 | BODY | NOTE 1 | NOTE 4 | 2 | B207600-32-2 |
| 1 | SHELL | NOTE 9 | NOTE 3 | 3 | B50000Z-1-RFX |



ISSUED
2001. 10. 30
R&D

DIMENSIONS ARE IN MILLIMETERS
UNLESS OTHERWISE SPECIFIED TOLERANCES
0.5-6 = ±0.2
6-30 = ±0.4
30-120 = ±0.6
120-315 = ±1
315-1000 = ±1.6
1000-2000 = ±2.4

PART NO.
APPROVED *A.R.C.* DATE 10-23-01'
CHECKED *Shaly.w* DATE 10-23-01'
DRAWN *Joan.Y* DATE 10-23-01'

Amphenol - Kai Jack
TAINAN TAIWAN
TITLE
BNC M-M-F LINK ADAPTOR
DRAWING NO.
KJ-B4070A1-ND3G-75
ITEM NO.
014070AAA00ND7F

RD-DR13086