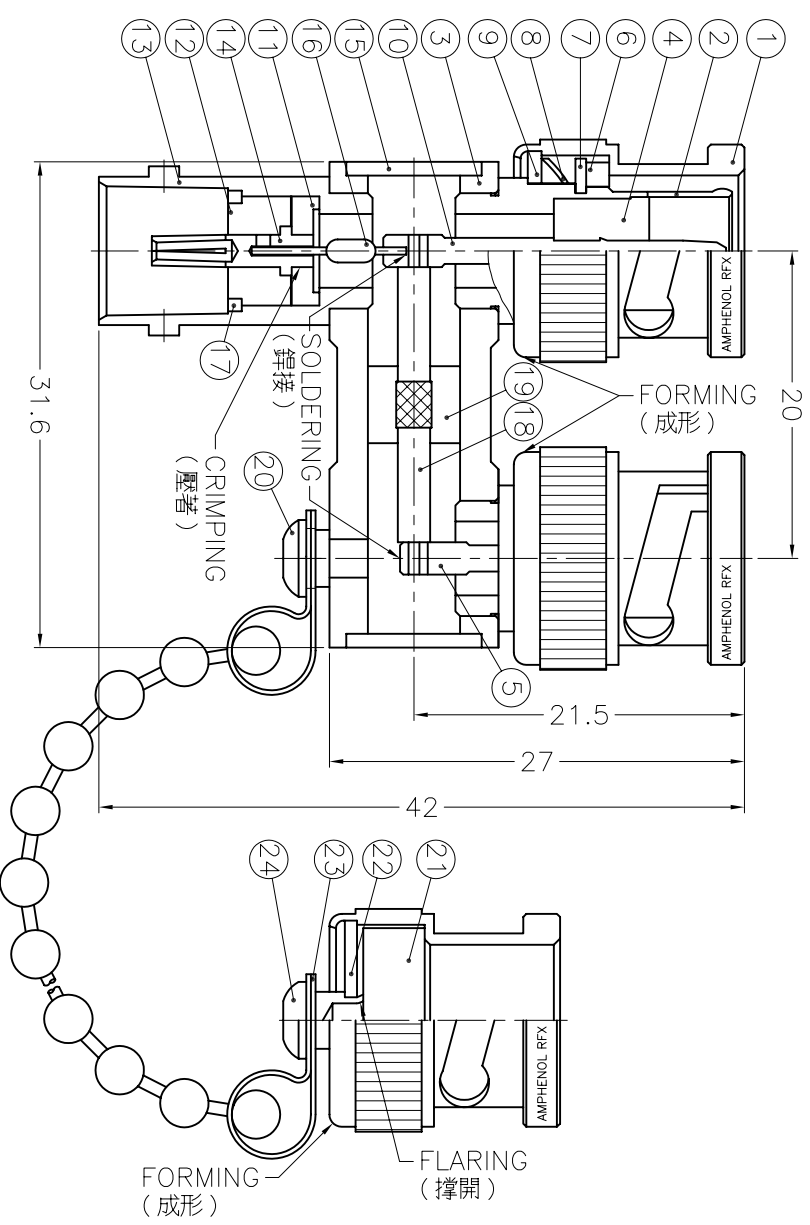


REVISES	
ISS	ZONE
	DESCRIPTION\PER REQUEST\DATE

NOTES: FINISH (PLATING THICKNESS IN MICRO-INCHES)

1. BRASS PER QQ-B-626
2. BRASS PER QQ-B-613
3. NICKEL PL. 100 MIN. THICK OVER COPPER PL. 300 MIN. THICK
4. NICKEL PL. 100 MIN. THICK OVER COPPER STRIKE
5. NICKEL PL. 200 MIN. THICK OVER COPPER STRIKE
6. PHOSPHOR BRONZE PER QQ-B-750
7. GOLD PL. 3 MIN. THICK OVER NICKEL PL. 100 MIN. THICK OVER COPPER STRIKE
8. TEFLON MIL-P-19468
9. ZINC DIECAST

24	RIVET	NOTE 1	NOTE 4	1	B500-5
23	CHAIN	NOTE 1	NOTE 4	1	B500-4X100
22	WASHER	NOTE 2	NOTE 4	1	WS-128/31X08
21	GASKET	SILICONE	RED	1	GS-12X4
20	RIVET	NOTE 1	NOTE 4	1	RV000AAA01B
19	INSULATOR	NOTE 8	NATURAL	1	B207600-32-10
18	CONTACT PIN	NOTE 1	NOTE 7	1	S38-4082-75-18
17	LOCK RING	NOTE 1	NOTE 4	1	B5071A1-4
16	RESISTOR	75R	0.125W	1	RS-75R-0.125W -1%
15	COVER	NOTE 2	NOTE 4	2	CV-895X07-1
14	CONTACT PIN	NOTE 6	NOTE 7	1	B6141A1-3-21/ 06
13	BODY	NOTE 1	NOTE 4	1	S38-4082-75-13
12	INSULATOR	DELFIN	NATURAL	1	B7200-2-75
11	INSULATOR	DELFIN	NATURAL	1	B7200-4-50
10	CONTACT PIN	NOTE 1	NOTE 7	1	S384-08075-10
9	WASHER	NOTE 2	NOTE 4	2	WS-128/9X08
8	SPRING	SK5	NOTE 5	2	B50000-6
7	RETAINER RING	NOTE 1	NOTE 4	2	B50000-5
6	GASKET	RUBBER	RED	2	GS-115/8X15
5	CONTACT PIN	NOTE 1	NOTE 7	1	B5091-6-75-B
4	INSULATOR	DELFIN	NATURAL	2	B5091-5-75-B
3	HOUSING	NOTE 1	NOTE 4	1	S38-4082-75-3
2	BODY	NOTE 1	NOTE 4	2	B207600-32-2
1	SHELL	NOTE 9	NOTE 3	3	B50000Z-1-RFX



DIMENSIONS ARE IN MILLIMETERS
UNLESS OTHERWISE SPECIFIED
TOLERANCES
0.5-6 = ±0.2
6-30 = ±0.4
30-120 = ±0.6
120-315 = ±1
315-1000 = ±1.6
1000-2000 = ±2.4

PART NO.
APPROVED
DATE
10-23-01'

CHECKED
DATE
10-23-01'

DRAWN
DATE
10-23-01'

Amphenol - Kai Jack
TAINAN TAIWAN

TITLE
BNC MALE TO FEMALE TO MALE ADAPTOR

DRAWING NO.
KJ-B4070A2-ND3G-75

ITEM NO.
014070AAB00ND7F

SCALE 2/1
ISSUE A

FILE NO. F:\DWG\B\4070A2\75\ND3G

SCALE 2/1
ISSUE A

A

3

4

5

6

7

8

A

B

3

4

5

6

7

8

B

C

3

4

5

6

7

8

C

D

3

4

5

6

7

8

D

E

3

4

5

6

7

8

E

F

3

4

5

6

7

8

F

1 2 3 4 5 6 7 8

3

4

5

6

7

8

F