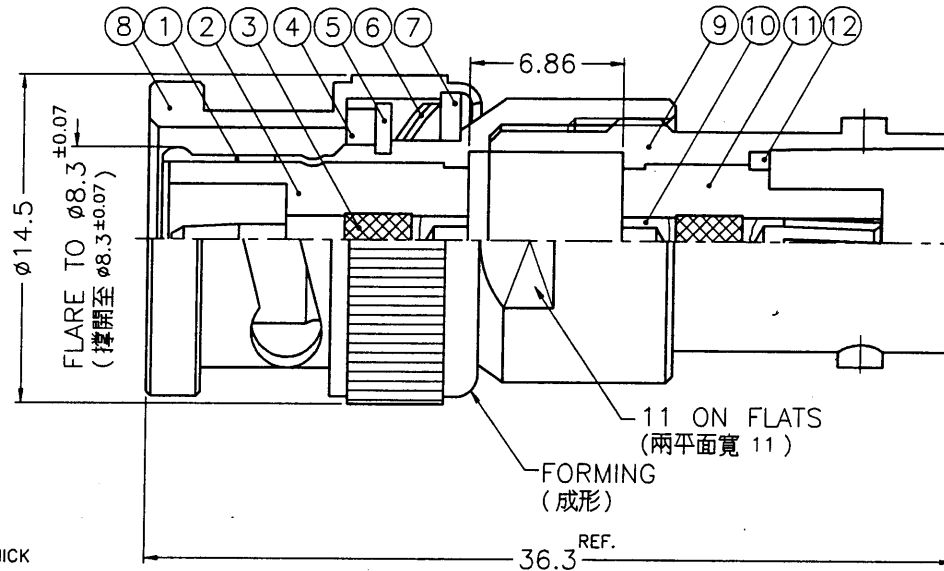


1 2 3 4 5 6 7 8

REVISIONS			
ISS	ZONE	DESCRIPTION\PER REQUEST\DATE	

業務部



NOTES: FINISH (PLATING THICKNESS IN MICRO-INCHES)

1. BRASS PER QQ-B-626
2. BRASS PER QQ-B-613
3. NICKEL PL. 100 MIN. THICK OVER COPPER STRIKE
4. NICKEL PL. 200 MIN. THICK OVER COPPER STRIKE
5. BERYLLIUM COPPER PER QQ-C-530
6. GOLD PL. 3 MIN. THICK OVER NICKEL PL. 100 MIN. THICK OVER COPPER STRIKE
7. TEFLON MIL-P-19468

12	LOCK RING	NOTE 1	NOTE 3	1	T6551E1-003-4BR
11	INSULATOR	NOTE 7	NATURAL	1	B5071A1-002-11T-50
10	CONTACT PIN	NOTE 5	NOTE 6	1	B5071A1-002-10
9	BODY	NOTE 1	NOTE 3	1	B5071A1-002-9
8	SHELL	NOTE 1	NOTE 3	1	B50000-1-B
7	WASHER	NOTE 2	NOTE 3	1	WS-128/9X08
6	SPPING	SK5	NOTE 4	2	B50000-6
5	RETAINER RING	NOTE 1	NOTE 3	1	B50000-5
4	GASKET	RUBBER	RED	1	GS-115/8X15
3	CONTACT PIN	NOTE 1	NOTE 6	1	B5071A1-002-3
2	INSULATOR	NOTE 7	NATURAL	1	B5071A1-002-2T-50
1	BODY	NOTE 1	NOTE 3	1	B5071A1-002-1
NO.	DESCRIPTION	MATERIAL	FINISH	Q'TY	DRAWING NO.

DIMENSIONS ARE IN MILLIMETERS

UNLESS OTHERWISE SPECIFIED TOLERANCES

- 0.5-6 = ±0.2
- 6-30 = ±0.4
- 30-120 = ±0.6
- 120-315 = ±1
- 315-1000 = ±1.6
- 1000-2000 = ±2.4

PART NO.

APPROVED

CHECKED

DRAWN

DATE

DATE

DATE

DATE

DATE

DATE

Amphenol - Kai Jack

TAINAN TAIWAN

TITLE

BNC MALE TO FEMALE ADAPTOR

DRAWING NO.

KJ-B5071A1-002-NT3G-50

FILE NO.

F:\DWG\B\5071A1\002\50\NT3G



1 2 3 4 5 6 7 8 1520