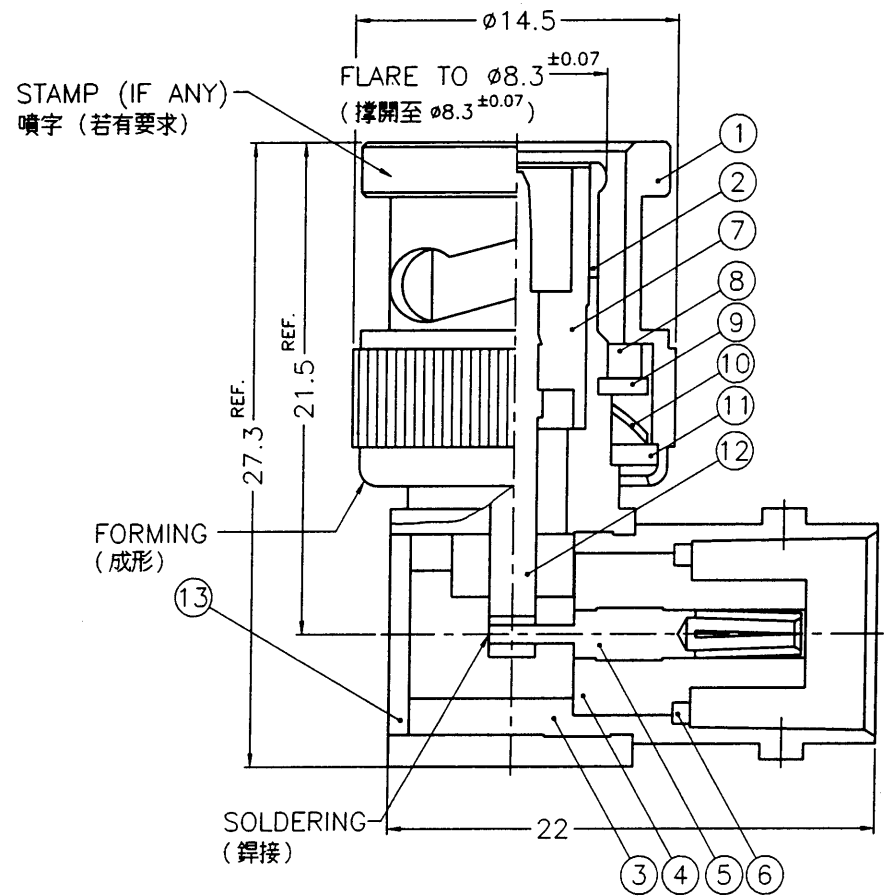


1 2 3 4 5 6 7 8

REVISIONS			
ISS	ZONE	DESCRIPTION\PER REQUEST\DATE	
B	A-1	NO.6 WAS CHANGED\RD-DM90080301Y\08-03-01'	

SALES



NOTES: FINISH (PLATING THICKNESS IN MICRO-INCHES)
 1. BRASS PER QQ-B-626
 2. BRASS PER QQ-B-613
 3. NICKEL PL. 100 MIN. THICK OVER COPPER STRIKE
 4. NICKEL PL. 200 MIN. THICK OVER COPPER STRIKE
 5. PHOSPHOR BRONZE PER QQ-B-750
 6. GOLD PL. 30 MIN. THICK OVER NICKEL PL. 100 MIN. THICK OVER COPPER STRIKE
 7. TEFLON MIL-P-19468

ISSUED
 2001.10.19
 R&D

13	COVER	NOTE 2	NOTE 3	1	CV-895X07-T
12	CONTACT PIN	NOTE 1	NOTE 6	1	B5091-6-50
11	WASHER	NOTE 2	NOTE 3	1	WS-128/9X08
10	SPRING	SK5	NOTE 4	1	B50000-6
9	RETAINER RING	NOTE 1	NOTE 3	1	B50000-5
8	GASKET	RUBBER	RED	1	GS-115/8X15
7	INSULATOR	NOTE 7	NATURAL	1	ATC B-3000-3T-50
6	LOCK RING	NOTE 2	NOTE 3	1	LR-79/62X08
5	CONTACT PIN	NOTE 5	NOTE 6	1	B5990-5
4	INSULATOR	NOTE 7	NATURAL	1	B5990-4T-50-A
3	BODY	NOTE 1	NOTE 3	1	B5990-3
2	HOUSING	NOTE 1	NOTE 3	1	B7996-2
1	SHELL	NOTE 1	NOTE 3	1	B50000-1-B
NO.	DESCRIPTION	MATERIAL	FINISH	Q'TY	DRAWING NO.

DIMENSIONS ARE IN MILLIMETERS		PART NO.	
UNLESS OTHERWISE SPECIFIED TOLERANCES		APPROVED	DATE
0.5-6 = ±0.2		<i>Andy C</i>	10-16-01'
6-30 = ±0.4		CHECKED	DATE
30-120 = ±0.6		<i>Andy C</i>	10-16-01'
120-315 = ±1		DRAWN	DATE
315-1000 = ±1.6		<i>Stacy W</i>	10-16-01'
1000-2000 = ±2.4		FILE NO.	F:\DWG\B\5072A1\50\NT30G

Amphenol - Kai Jack	
TAINAN TAIWAN	
TITLE	BNC MALE TO FEMALE R/A ADAPTOR
DRAWING NO.	KJ-B5072A1-NT30G-50
ITEM NO.	015072AAB00NC5F

F
E
D
C
B
A

F
E
D
C
B
A

1 2 3 4 5 6 7 8 RD8DR13026