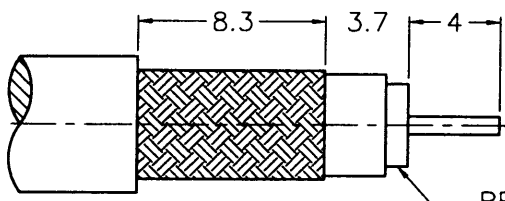
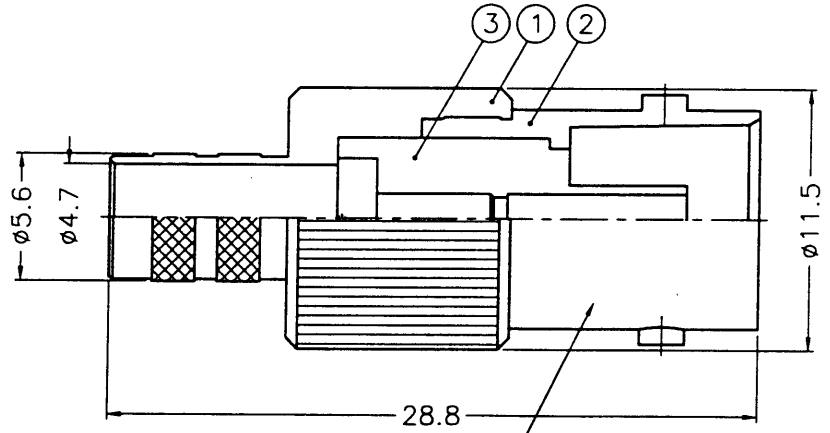
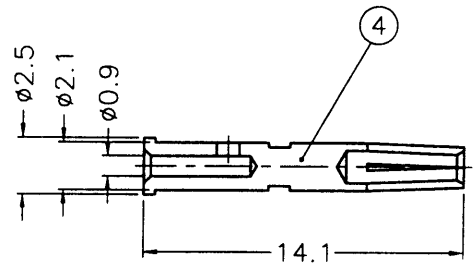
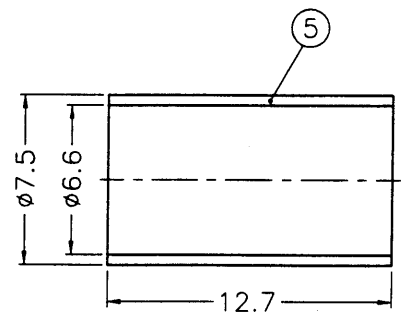


REVISIONS		
ISS	ZONE	DESCRIPTION\PER REQUEST\DATE



RECOMMENDED  
CABLE STRIPPING DIM'S  
(建議剝線尺寸)

REMOVE FOIL 1mm MIN.  
(去除箔襯 1mm 以上)



STAMP (IF ANY)  
噴字 (若有要求)



- 1. CRIMPED FERRULE  
HEX CRIMP SIZE .255"
- 2. CRIMPED CONTACT PIN  
HEX CRIMP SIZE .068"

NOTES: FINISH (PLATING THICKNESS IN MICRO-INCHES)  
 1. BRASS PER QQ-B-626  
 2. NICKEL PL. 100 MIN. THICK OVER COPPER STRIKE  
 3. PHOSPHOR BRONZE PER QQ-B-750  
 4. GOLD PL. 3 MIN. THICK OVER NICKEL PL. 100 MIN. THICK OVER COPPER STRIKE  
 5. TEFLON MIL-P-19468  
 6. JIS H 3250, C 2600

NO.	DESCRIPTION	MATERIAL	FINISH	Q'TY	DRAWING NO.
5	FERRULE	NOTE 6	NOTE 2	1	FR-75/66X127
4	CONTACT PIN	NOTE 3	NOTE 4	1	B74000-8-25/09
3	INSULATOR	NOTE 5	NATURAL	1	B74000-3T-75T
2	BODY	NOTE 1	NOTE 2	1	B74000-2
1	HOUSING	NOTE 1	NOTE 2	1	HS00AAR17A

DIMENSIONS ARE IN MILLIMETERS			
UNLESS OTHERWISE SPECIFIED TOLERANCES			
0.5-6	=	±0.2	
6-30	=	±0.4	
30-120	=	±0.6	
120-315	=	±1	
315-1000	=	±1.6	
1000-2000	=	±2.4	

PART NO.	
APPROVED	DATE 12-16-02'
CHECKED	DATE 12-16-02'
DRAWN	DATE 12-16-02'

<b>Amphenol</b>	
Danbury,CT,USA-Tainan,Taiwan-Shenzhen,China	
TITLE BNC CRIMP JACK	
DRAWING NO. B6121A1-010-NT3G-75T	
ITEM NO.	

NO.	DESCRIPTION	MATERIAL	FINISH	Q'TY	DRAWING NO.	SCALE	3/1	ISSUE	A1	FILE NO.
										F:\DWG\B\6121A1\010\75T\NT3G