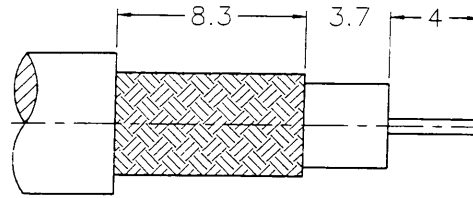
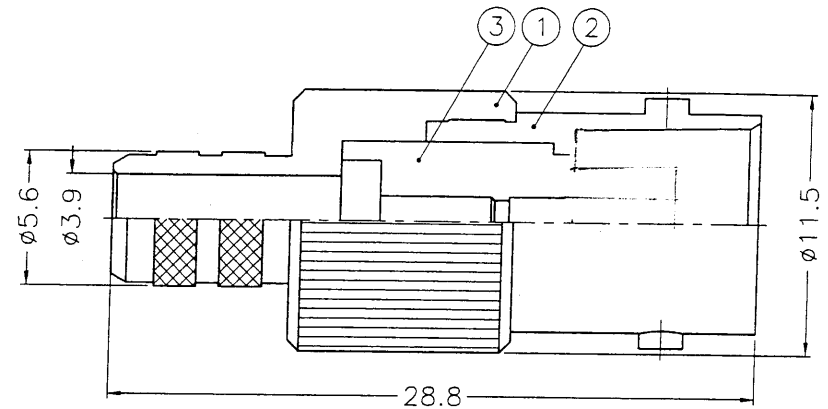
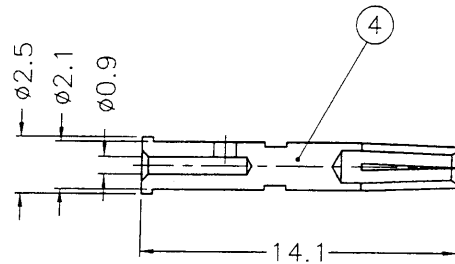
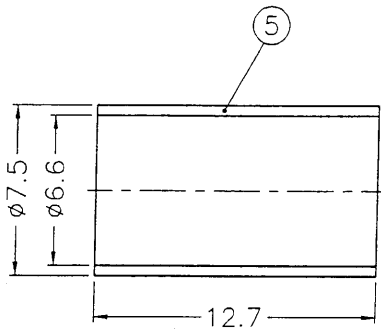


業務部



RECOMMENDED
CABLE STRIPPING DIM'S
(建議剝線尺寸)



- 1. CRIMPED FERRULE
HEX CRIMP SIZE .255"
- 2. CRIMPED CONTACT PIN
HEX CRIMP SIZE .068"

出圖
89.4.25
設計部

NOTES: FINISH (PLATING THICKNESS IN MICRO-INCHES)

- 1. BRASS PER QQ-B-626
- 2. NICKEL PL. 100 MIN. THICK OVER COPPER STRIKE
- 3. PHOSPHOR BRONZE PER QQ-B-750
- 4. GOLD PL. 3 MIN. THICK OVER NICKEL PL. 100 MIN. THICK OVER COPPER STRIKE
- 5. TEFLON MIL-P-19468
- 6. JIS H3250, C 2700

DIMENSIONS ARE IN MILLIMETERS			
UNLESS OTHERWISE SPECIFIED TOLERANCES			
0.5-6	=	±0.2	
6-30	=	±0.4	
30-120	=	±0.6	
120-315	=	±1	
315-1000	=	±1.6	
1000-2000	=	±2.4	

NO.	DESCRIPTION	MATERIAL	FINISH	Q'TY	DRAWING NO.
5	FERRULE	NOTE 6	NOTE 2	1	FR-75/66X127
4	CONTACT PIN	NOTE 3	NOTE 4	1	B74000-8-25/09
3	INSULATOR	NOTE 5	NATURAL	1	B74000-3T-75
2	BODY	NOTE 1	NOTE 2	1	B74000-2
1	HOUSING	NOTE 1	NOTE 2	1	B70000-1-56/39

PART NO.	
APPROVED	DATE
CHECKED	DATE
DRAWN	DATE

Amphenol - Kai Jack	
TAINAN TAIWAN	
TITLE	50
BNC CRIMP JACK	
DRAWING NO.	KJ-B6121A1-NT3G-59U/20AWG-75
FILE NO.	F:\DWG\B\6121A1\59U20AWG\75\NT3G

81134