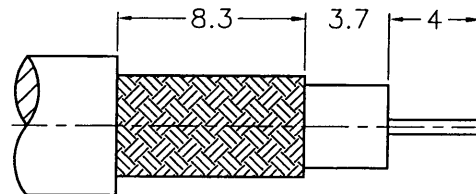


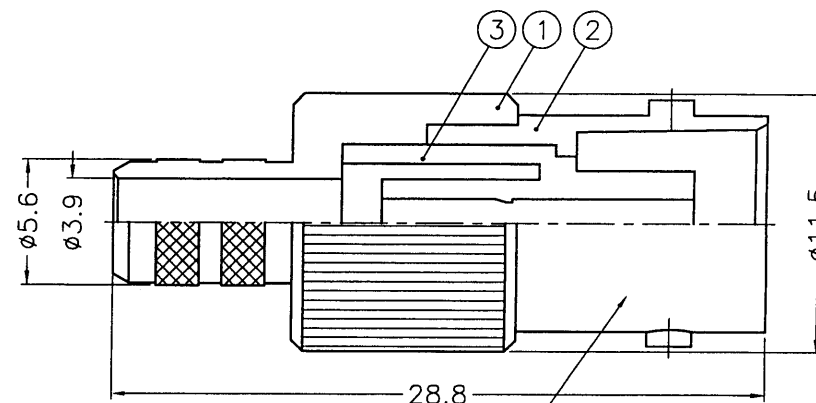
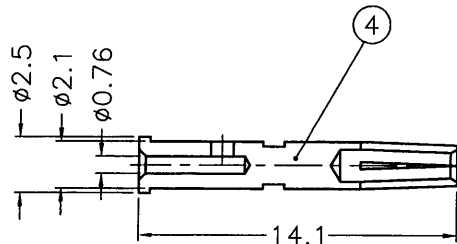
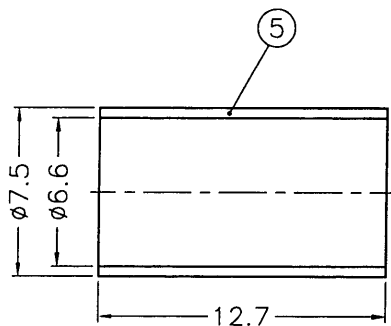
1 2 3 4 5 6 7 8

REVISIONS		
ISS	ZONE	DESCRIPTION\PER REQUEST\DATE
B	A-3	NO.3 WAS CHANGED\RD-DM91110401W\08-03-04'

**SALES**



RECOMMENDED  
CABLE STRIPPING DIM'S  
(建議剝線尺寸)



STAMP (IF ANY)  
噴字 (若有要求)

ISSUED  
2004. 8. 04  
R&D

NOTES: FINISH (PLATING THICKNESS IN MICRO-INCHES)

1. BRASS PER QQ-B-626
2. NICKEL PL. 100 MIN. THICK OVER COPPER STRIKE
3. PHOSPHOR BRONZE PER QQ-B-750
4. GOLD PL. 3 MIN. THICK OVER NICKEL PL. 100 MIN. THICK OVER COPPER STRIKE
5. JIS H 3250, C 2600

1. CRIMPED FERRULE  
HEX CRIMP SIZE .255"
2. CRIMPED CONTACT PIN  
HEX CRIMP SIZE .068"

DIMENSIONS ARE IN MILLIMETERS						PART NO.		<b>Amphenol</b> Danbury,CT,USA--Tainan,Taiwan--Shenzhen,China			
UNLESS OTHERWISE SPECIFIED TOLERANCES						APPROVED	DATE			TITLE	
5	FERRULE	NOTE 5	NOTE 2	1	FR-75/66X127	0.5-6 = ±0.2	<i>Scott H</i>	08-03-04'	BNC CRIMP JACK		
4	CONTACT PIN	NOTE 3	NOTE 4	1	B74000-8-25/076	6-30 = ±0.4	<i>Scott H</i>	08-03-04'	DRAWING NO.		
3	INSULATOR	DELTRIN	NATURAL	1	B74050-3-50-C	30-120 = ±0.6	<i>Scott H</i>	08-03-04'	B6121B1-ND3G-59U-50		
2	BODY	NOTE 1	NOTE 2	1	B74000-2	120-315 = ±1	<i>Enyo</i>	08-03-04'	ITEM NO.		
1	HOUSING	NOTE 1	NOTE 2	1	B70000-1-56/39	315-1000 = ±1.6			016121AAB59ND5F		
NO.	DESCRIPTION	MATERIAL	FINISH	Q'TY	DRAWING NO.	SCALE	3/1	ISSUE	B	FILE NO.	F:\DWG\B\6121B1\59U-50\ND3G-B

7RD-DR 22519 8