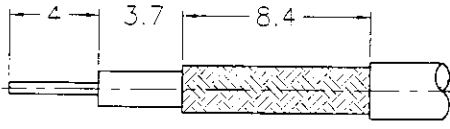
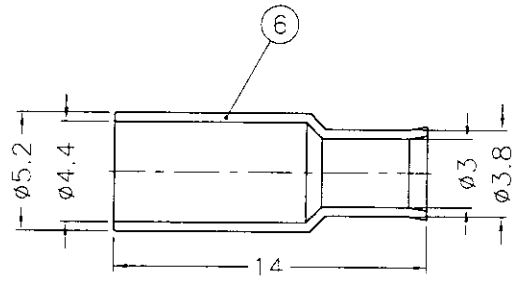
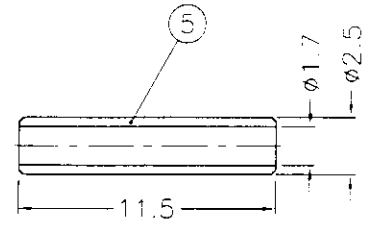
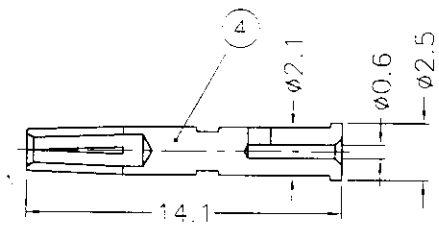
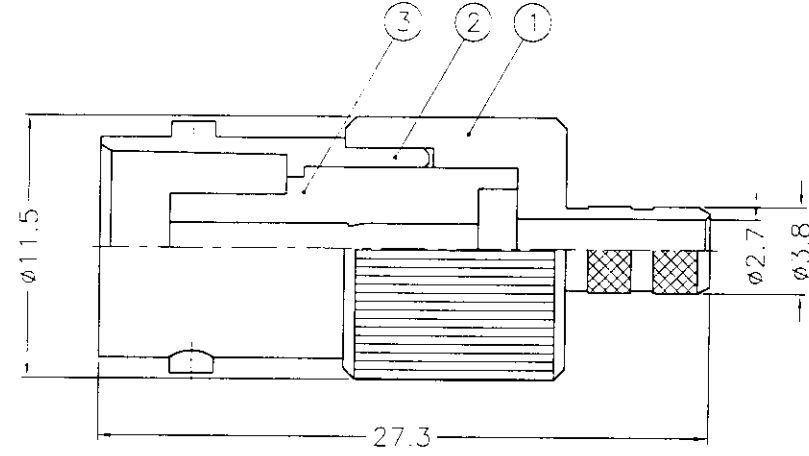


REVISIONS			
ISS	ZONE	DESCRIPTION/PER REQUEST	DATE
A1	F-5	8.4 WAS 6.8 \N/A\08-18-99	

業務部



RECOMMENDED
CABLE STRIPPING DIM'S
(建議剝線尺寸)



- NOTES: FINISH (PLATING THICKNESS IN MICRO-INCHES)
- BRASS PER QQ-B-626
 - NICKEL PL. 100 MIN. THICK OVER COPPER STRIKE
 - PHOSPHOR BRONZE PER QQ-B-750
 - GOLD PL. 3 MIN. THICK OVER NICKEL PL. 100 MIN. THICK OVER COPPER STRIKE
 - JIS H 3260, C 3501



NO.	DESCRIPTION	MATERIAL	FINISH	QTY	DRAWING NO.
6	FERRULE	NOTE 5	NOTE 2	1	FR-52/44-38/3 X14
5	SLEEVE	DELRI	NATURAL	1	SL-25/17X115
4	CONTACT PIN	NOTE 3	NOTE 4	1	E74000-8-25/06
3	INSULATOR	DELRI	NATURAL	1	B74050-3-50-B
2	BODY	NOTE 1	NOTE 2	1	B74000-2
1	HOUSING	NOTE 1	NOTE 2	1	B70002-1-38/27

DIMENSIONS ARE IN MILLIMETERS
UNLESS OTHERWISE SPECIFIED
TOLERANCES
0.5-6 = ±0.2
6-30 = ±0.4
30-120 = ±0.6
120-315 = ±1
315-1000 = ±1.6
1000-2500 = ±2.4

PART NO.	
APPROVED	DATE 08-17-98
DESIGNED	DATE 08-17-98
DRAWN	DATE 08-17-98



KAI JACK INDUSTRIAL CO., LTD.
TAIPEI, TAIWAN R.O.C.

TITLE	BNC CRIMP JACK (FOR RG-174/U, 188A/U, 316/U)
DRAWING NO.	KJ-B6121E1-ND3G-316U-50
FILE NO.	F:\DWG\B\6121E1\316U-50\ND3G

88R5710