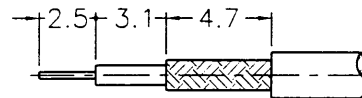
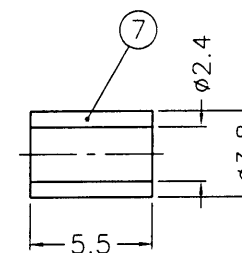
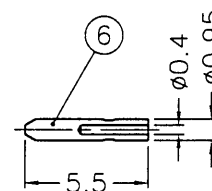
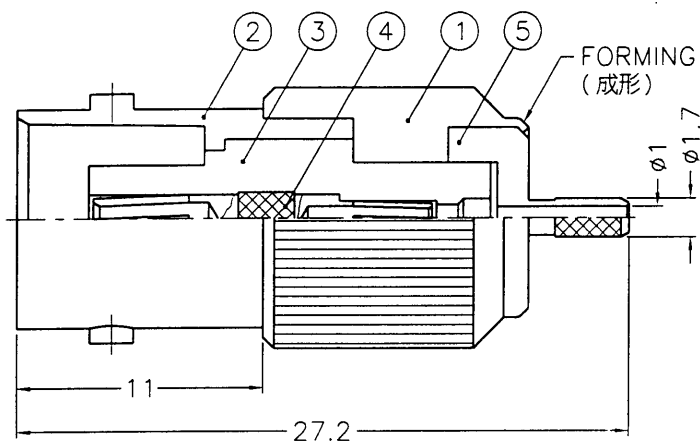


REVISIONS		
ISS	ZONE	DESCRIPTION\PER REQUEST\DATE

業務部



RECOMMENDED
CABLE STRIPPING DIM'S
(建議剝線尺寸)



NOTES: FINISH (PLATING THICKNESS IN MICRO-INCHES)

1. BRASS PER QQ-B-626
2. NICKEL PL. 100 MIN. THICK OVER COPPER STRIKE
3. PHOSPHOR BRONZE PER QQ-B-750
4. GOLD PL. 3 MIN. THICK OVER NICKEL PL. 100 MIN. THICK OVER COPPER STRIKE
5. TEFLON MIL-P-19468



DIMENSIONS ARE IN MILLIMETERS					PART NO.		
7	FERRULE	COPPER	NOTE 2	1	FR-38/24X55C	UNLESS OTHERWISE SPECIFIED TOLERANCES	
6	CONTACT PIN	NOTE 1	NOTE 4	1	B50003-9-0.4	0.5-6 = ±0.2	BNC CRIMP JACK
5	BARREL	NOTE 1	NOTE 2	1	B6421G1-5-17/1	6-30 = ±0.4	(FOR RG-178B/U, 196A/U)
4	CONTACT PIN	NOTE 3	NOTE 4	1	B6421G1-4-1.05	30-120 = ±0.6	DRAWING NO.
3	INSULATOR	NOTE 5	NATURAL	1	B6421G1-3T-50	120-315 = ±1	KJ-B6121G1-NT3G-196AU-50
2	BODY	NOTE 1	NOTE 2	1	B74000-2	315-1000 = ±1.6	FILE NO.
1	HOUSING	NOTE 1	NOTE 2	1	B6121G1-1-B	1000-2000 = ±2.4	F:\DWG\B\6121G1\196AU-50\NT3G
NO.	DESCRIPTION	MATERIAL	FINISH	Q'TY	DRAWING NO.	SCALE 3/1	ISSUE A

APPROVED: Mark C DATE 06-08-99'
 CHECKED: Mark C DATE 06-08-99'
 DRAWN: Betty L DATE 06-08-99'

F
E
D
C
B
A