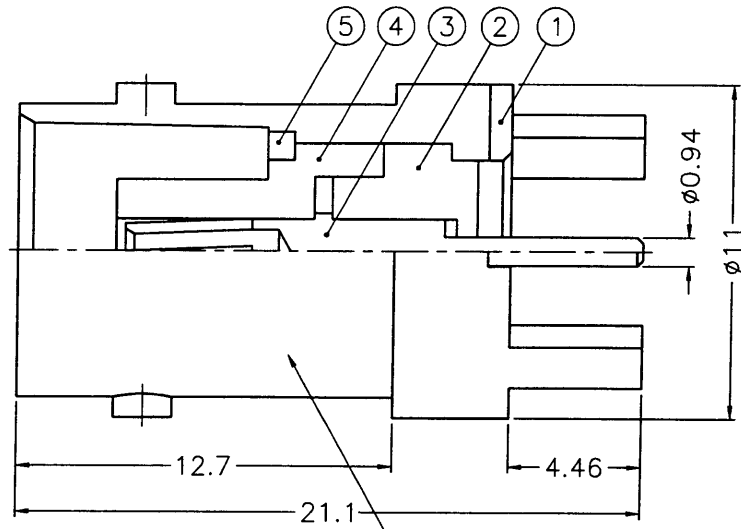


1 2 3 4 5 6 7 8

REVISIONS		
ISS	ZONE	DESCRIPTION\PER REQUEST\DATE

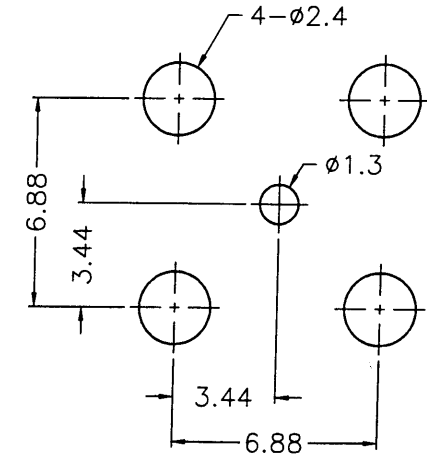
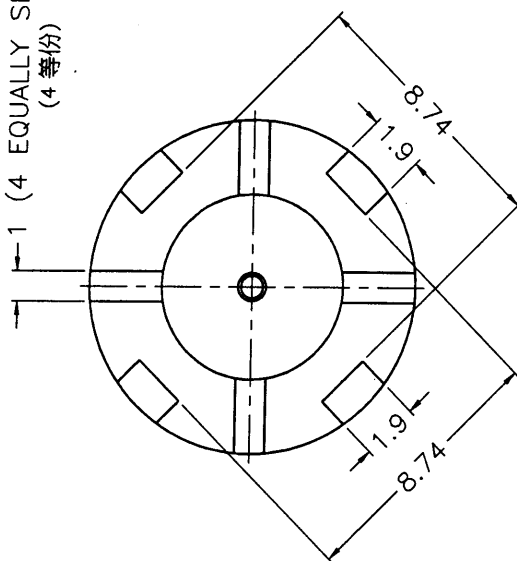
**SALES**

F  
E  
D  
C  
B  
A



STAMP (IF ANY)  
噴字 (若有要求)

1 (4 EQUALLY SPACED)  
(4等份)



PCB MOUNTING HOLE  
(印刷电路板架設孔)



NOTES: FINISH (PLATING THICKNESS IN MICRO-INCHES)  
 1. BRASS PER QQ-B-626  
 2. BRASS PER QQ-B-613  
 3. NICKEL PL. 100 MIN. THICK OVER COPPER STRIKE  
 4. PHOSPHOR BRONZE PER QQ-B-750  
 5. SILVER PL. 200 MIN. THICK OVER COPPER STRIKE

DIMENSIONS ARE IN MILLIMETERS			
UNLESS OTHERWISE SPECIFIED TOLERANCES			
0.5-6	=	±0.2	
6-30	=	±0.4	
30-120	=	±0.6	
120-315	=	±1	
315-1000	=	±1.6	
1000-2000	=	±2.4	

PART NO.	
APPROVED	DATE
CHECKED	DATE
DRAWN	DATE

<b>Amphenol - Kai Jack</b>	
TAINAN TAIWAN	
TITLE	
BNC P.C. MOUNT RECEPT. JACK	
DRAWING NO.	
KJ-B6251D1-NPBS-50	
FILE NO. F:\DWG\B\6251D1\50\NPBS	

NO.	DESCRIPTION	MATERIAL	FINISH	Q'TY	DRAWING NO.
5	LOCK RING	NOTE 2	NOTE 3	1	LR-79/62X08
4	INSULATOR	PBT	WHITE	1	B7703-4-50-B
3	CONTACT PIN	NOTE 4	NOTE 5	1	B7703-3-B
2	INSULATOR	PBT	WHITE	1	B7703-2-50-B
1	BODY	NOTE 1	NOTE 3	1	B7703-1-B

1 2 3 4 5 6 7 8 RD-DR 12596