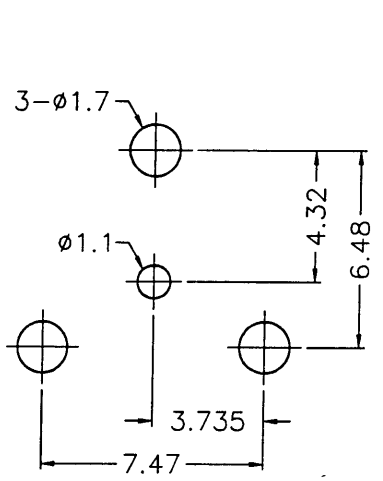


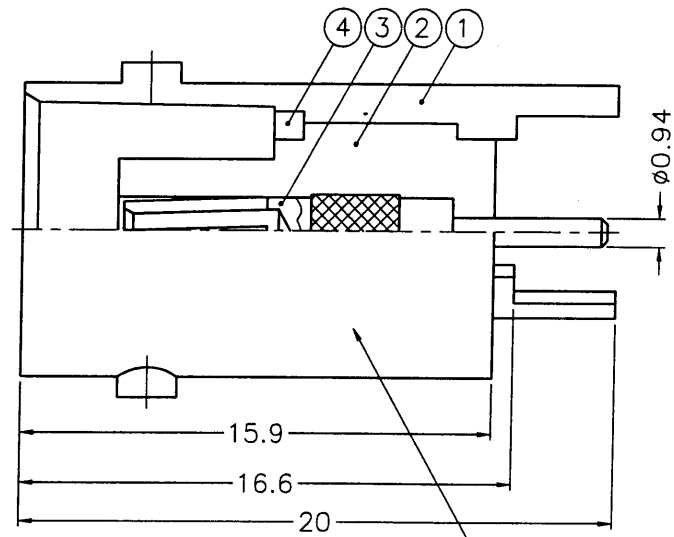
1 2 3 4 5 6 7 8

REVISIONS		
ISS	ZONE	DESCRIPTION\PER REQUEST\DATE
B	A-1	NO.4 WAS CHANGED\RD-DM90080301Y\08-03-01'

SALES



PCB MOUNTING HOLE
(印刷电路板架設孔)



STAMP (IF ANY)
噴字 (若有要求)

ISSUED
2001. 8. 10
R&D

NOTES: FINISH (PLATING THICKNESS IN MICRO-INCHES)

- BRASS PER QQ-B-626
- BRASS PER QQ-B-613
- NICKEL PL. 100 MIN. THICK OVER COPPER STRIKE
- PHOSPHOR BRONZE PER QQ-B-750
- GOLD PL. 3 MIN. THICK OVER NICKEL PL. 100 MIN. THICK OVER COPPER STRIKE
- TEFLON MIL-P-19468

DIMENSIONS ARE IN MILLIMETERS		PART NO.	
UNLESS OTHERWISE SPECIFIED TOLERANCES		APPROVED <i>A. K. C.</i> DATE 08-08-01'	
0.5-6 = ±0.2	6-30 = ±0.4	CHECKED <i>Staly. w.</i> DATE 08-08-01'	DRAWN <i>Lua. y.</i> DATE 08-08-01'
30-120 = ±0.6	120-315 = ±1	FILE NO. F:\DWG\B\6251E1\50\NT3G	
315-1000 = ±1.6	1000-2000 = ±2.4	SCALE 4/1 ISSUE B	

Amphenol - Kai Jack TAINAN TAIWAN	
TITLE BNC PC MOUNT RECEPT. JACK	
DRAWING NO. KJ-B6251E1-NT3G-50	
FILE NO. F:\DWG\B\6251E1\50\NT3G	

NO.	DESCRIPTION	MATERIAL	FINISH	Q'TY	DRAWING NO.
4	LOCK RING	NOTE 2	NOTE 3	1	LR-79/62X08
3	CONTACT PIN	NOTE 4	NOTE 5	1	B7704-3
2	INSULATOR	NOTE 6	NATURAL	1	B7704-2T-50
1	BODY	NOTE 1	NOTE 3	1	B7704-1

RD-DR12605