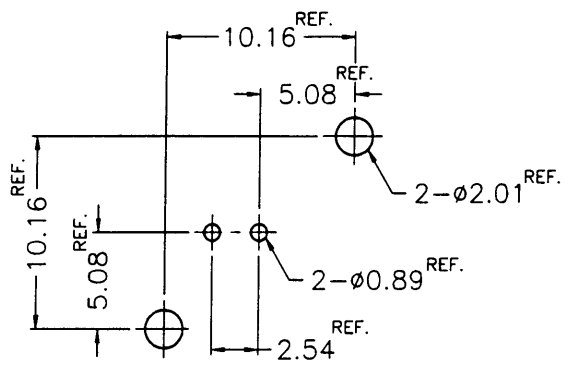


1 2 3 4 5 6 7 8

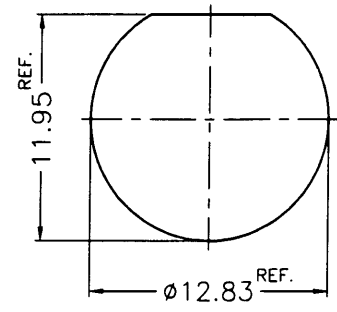
F  
E  
D  
C  
B  
A

REVISIONS		
ISS	ZONE	DESCRIPTION\PER REQUEST\DATE

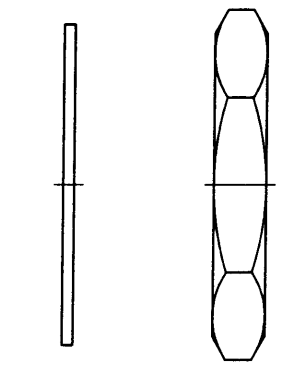
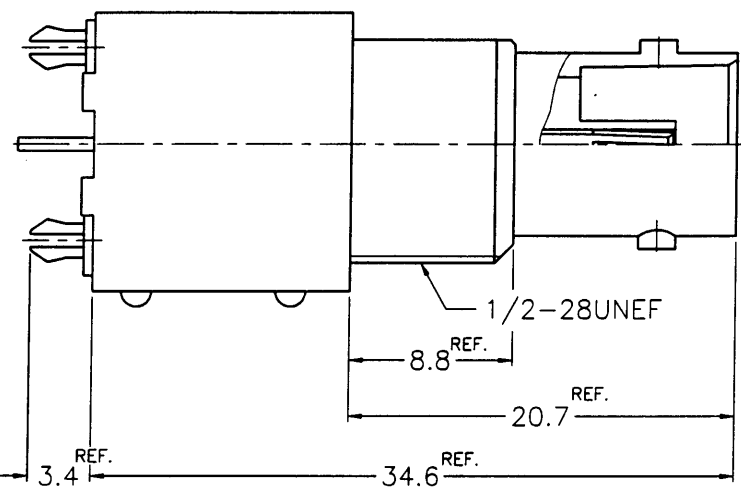
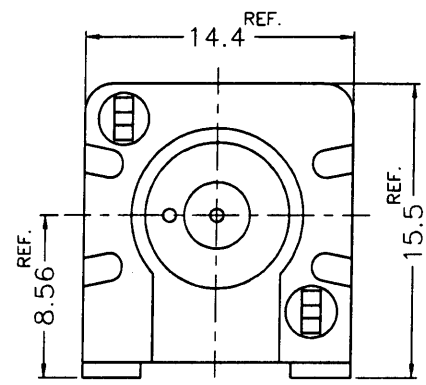
業務部



PCB MOUNTING HOLE  
(印刷电路板架設孔)



RECOMMENDED MOUNTING HOLE  
(建議架設孔)



出圖  
2001.2.16  
設計部

1. MAX. PANEL THICKNESS=5mm

- NOTES: FINISH (PLATING THICKNESS IN MICRO-INCHES)
- BRASS PER QQ-B-626
  - BRASS PER QQ-B-613
  - NICKEL PL. 100 MIN. THICK OVER ZINC ALLOY
  - TIN PLATING
  - PHOSPHOR BRONZE PER QQ-B-750
  - GOLD FLASH OVER NICKEL PL. 50 MIN. THICK AT MATING AREA.  
TIN-LEAD PL. 100 MIN. THICK OVER NICKEL PL. 50 MIN. THICK AT TAIL.
  - ZINC DIECAST
  - POLYPROPYLENE UL 94HB
  - PBT (UL 94 V-0)

NO.	DESCRIPTION	MATERIAL	FINISH	Q'TY	DRAWING NO.
8	HEX NUT		NOTE 1	NOTE 3	
7	LOCK WASHER		NOTE 2	NOTE 3	
6	MOUNTING POST		NOTE 2	NOTE 4	
5	POST	COPPER	NOTE 4		
4	CONTACT PIN		NOTE 5	NOTE 6	
3	INSULATOR		NOTE 8	NATURAL	
2	BODY		NOTE 7	NOTE 3	
1	HOUSING		NOTE 9	WHITE	

DIMENSIONS ARE IN MILLIMETERS			
UNLESS OTHERWISE SPECIFIED TOLERANCES			
0.5-6	=	±	0.2
6-30	=	±	0.4
30-120	=	±	0.6
120-315	=	±	1
315-1000	=	±	1.6
1000-2000	=	±	2.4

PART NO.	
APPROVED	DATE 02-16-01'
CHECKED	DATE 02-16-01'
DRAWN	DATE 02-16-01'

Amphenol - Kai Jack	
TAINAN TAIWAN	
TITLE	BNC STRAIGHT PC MOUNT RECEPT. JACK
DRAWING NO.	KJ-B6251G1-NPP3G-75T
FILE NO.	F:\DWG\B\6251G1\75T\NPP3G

A

1 2 3 4 5 6 7 8 RD8DR11678