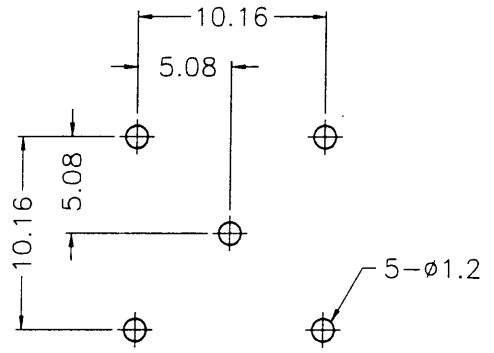
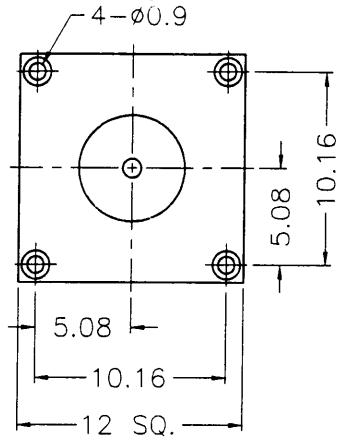


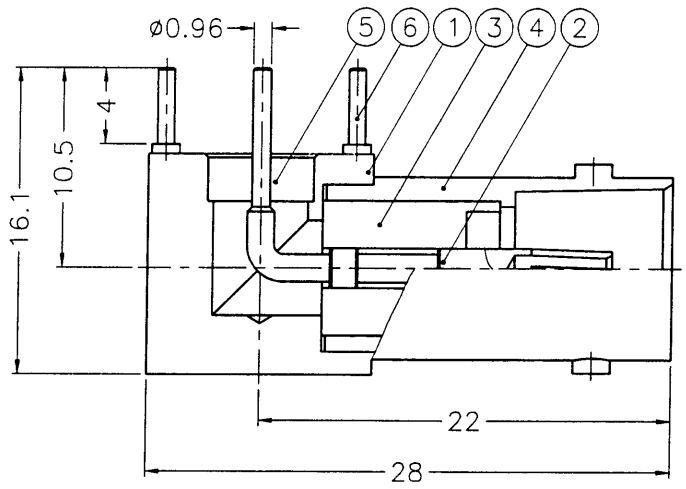
1 2 3 4 5 6 7 8

REVISIONS		
ISS	ZONE	DESCRIPTION\PER REQUEST\DATE
B	A-1	NO.2 WAS CHANGED\RD-DM89072601C\07-26-00'

業務部



PCB MOUNTING HOLE
(印刷電路板架設孔)



出圖
89.7.26
設計部

- NOTES: FINISH (PLATING THICKNESS IN MICRO-INCHES)
1. BRASS PER QQ-B-626
 2. NICKEL PL. 100 MIN. THICK OVER COPPER STRIKE
 3. BERYLLIUM COPPER PER QQ-C-530
 4. GOLD PL. 50 MIN. THICK OVER NICKEL PL. 100 MIN. THICK OVER COPPER STRIKE
 5. TEFLON MIL-P-19468

NO.	PIN	NOTE 1	NOTE 2	4	T6251F1-001-5
6	PIN	NOTE 1	NOTE 2	4	T6251F1-001-5
5	INSULATOR	NOTE 5	NATURAL	1	B6252P1-001-6-1
4	BODY	NOTE 1	NOTE 2	1	B625200-003-4
3	INSULATOR	NOTE 5	NATURAL	1	B625200-003-3T-75
2	CONTACT PIN	NOTE 3	NOTE 4	1	B625200-003-2-B
1	HOUSING	NOTE 1	NOTE 2	1	B625200-003-1

DIMENSIONS ARE IN MILLIMETERS			
UNLESS OTHERWISE SPECIFIED TOLERANCES			
0.5-6	=	±0.2	
6-30	=	±0.4	
30-120	=	±0.6	
120-315	=	±1	
315-1000	=	±1.6	
1000-2000	=	±2.4	

PART NO.	
APPROVED	DATE 07-21-00'
CHECKED	DATE 07-21-00'
DRAWN	DATE 07-21-00'

Amphenol - Kai Jack	
TAINAN TAIWAN	
TITLE BNC R/A PC MOUNT JACK	
DRAWING NO. KJ-B625200-003-NT50G-75	
FILE NO. F:\DWG\B\625200\003\75\NT50G	

A

A

1 2 3 4 5 6 7 8

RD-DR8707