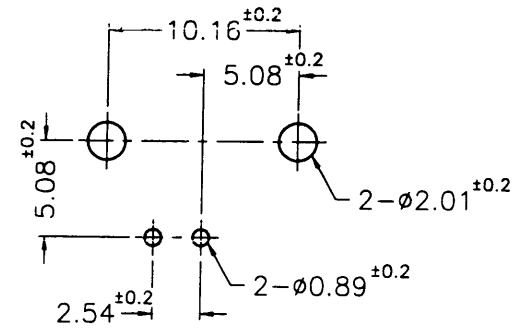
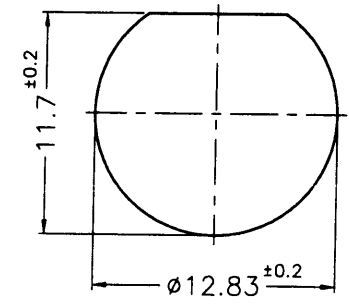


REVISIONS		
ISS	ZONE	DESCRIPTION\PER REQUEST\DATE
A1	ALL	DIMENSIONS WERE CHANGED\N/A\02-14-01'
A2	ALL	DIMENSIONS WERE CHANGED\N/A\05-03-02'
F-8		ADDED A DETAIL\N/A\05-03-02'

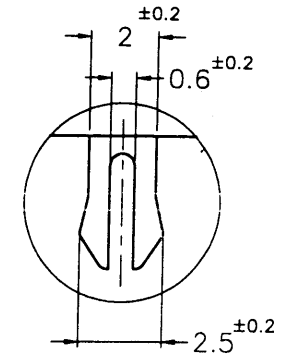
**SALES**



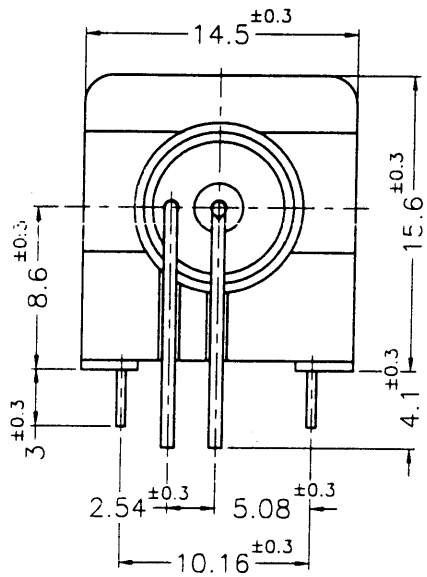
PCB MOUNTING HOLE  
(印刷电路板架設孔)



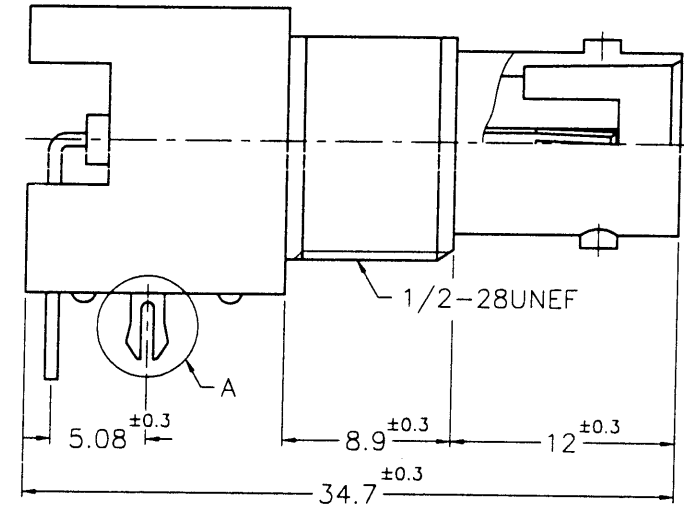
RECOMMENDED MOUNTING HOLE  
(建議架設孔)



A DETAIL (5/1)  
(A 詳圖)



1. MAX. PANEL THICKNESS=5mm



ISSUED  
2002. 5. 15  
R&D

- NOTES: FINISH (PLATING THICKNESS IN MICRO-INCHES)
- BRASS PER QQ-B-626
  - BRASS PER QQ-B-613
  - NICKEL PL. 100 MIN. THICK OVER ZINC ALLOY
  - TIN PLATING
  - PHOSPHOR BRONZE PER QQ-B-750
  - GOLD FLASH AT MATING AREA
  - TIN-LEAD PL. 100 MIN. THICK AT TAIL
  - ZINC DIECAST
  - POLYPROPYLENE UL 94HB
  - PBT (UL 94 V-0)
  - NICKEL PL. 80 MIN. THICK OVER COPPER STRIKE

HEX NUT	NOTE 1	NOTE 10		
LOCK WASHER	S50C	NOTE 10		
MOUNTING POST	NOTE 2	NOTE 4		
POST	COPPER	NOTE 4		
CONTACT PIN	NOTE 5	NOTE 6		
INSULATOR	NOTE 8	NATURAL		
BODY	NOTE 7	NOTE 3		
HOUSING	NOTE 9	WHITE		

DIMENSIONS ARE IN MILLIMETERS			
UNLESS OTHERWISE SPECIFIED TOLERANCES			
0.5-6	=	±0.2	
6-30	=	±0.4	
30-120	=	±0.6	
120-315	=	±1	
315-1000	=	±1.6	
1000-2000	=	±2.4	

PART NO.	
APPROVED	DATE
CHECKED	DATE
DRAWN	DATE
FILE NO.	F:\DWG\B\6252H5\50\NPP3G

<b>Amphenol - Kai Jack</b>	
TAINAN TAIWAN	
TITLE	BNC R/A PC MOUNT RECEPT. JACK
DRAWING NO.	KJ-B6252H5-NPP3G-50
ITEM NO.	016252AAA07MB5F

7RD-DR 149238