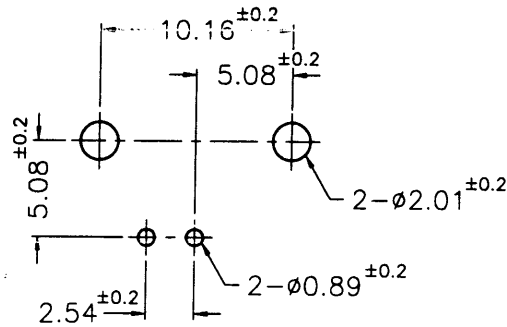
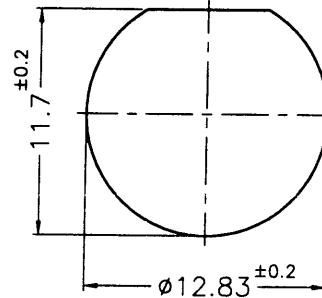


REVISIONS		
ISS	ZONE	DESCRIPTION \ PER REQUEST \ DATE
A1	ALL	DIMENSIONS WERE CHANGED \ N/A \ 11-13-01'
A2	ALL	DIMENSIONS WERE CHANGED \ N/A \ 05-03-02'

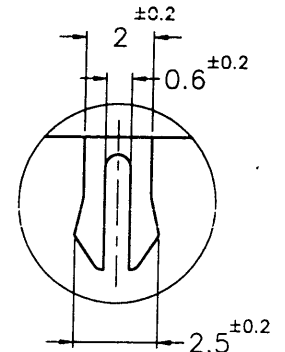
SALES



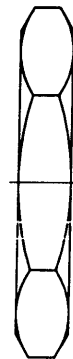
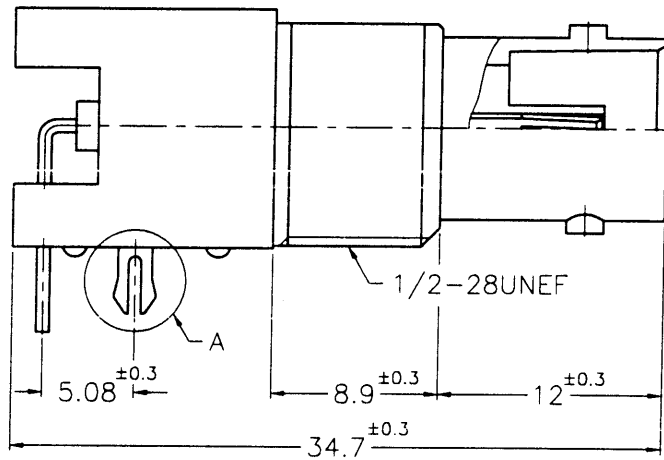
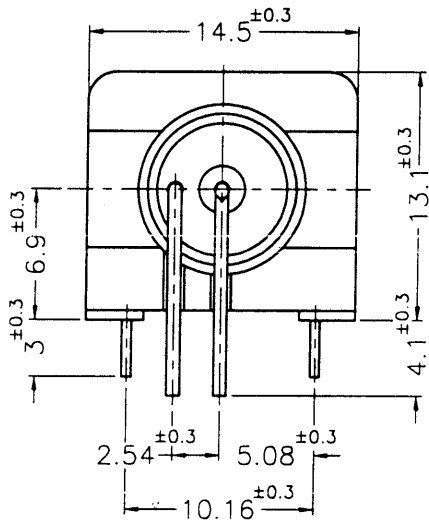
PCB MOUNTING HOLE
(印刷电路板架設孔)



RECOMMENDED MOUNTING HOLE
(建議架設孔)



A DETAIL (5/1)
(A 詳圖)



ISSUED
2002. 5. 15
R&D

- NOTES: FINISH (PLATING THICKNESS IN MICRO-INCHES)
1. BRASS PER QQ-B-626
 2. BRASS PER QQ-B-613
 3. NICKEL PL. 100 MIN. THICK OVER ZINC ALLOY
 4. TIN PLATING
 5. PHOSPHOR BRONZE PER QQ-B-750
 6. GOLD FLASH OVER NICKEL PL. 50 MIN. THICK AT MATING AREA.
TIN-LEAD PL. 100 MIN. THICK OVER NICKEL PL. 50 MIN. THICK AT TAIL.
 7. ZINC DIECAST
 8. POLYPROPYLENE UL 94HB
 9. PBT (UL 94 V-0)
 10. NICKEL PL. 80 MIN. THICK OVER COPPER STRIKE

1. MAX. PANEL THICKNESS=5mm

MATERIALS					DIMENSIONS ARE IN MILLIMETERS				PART NO.		TITLE						
HEX NUT	NOTE 1	NOTE 10			UNLESS OTHERWISE SPECIFIED TOLERANCES 0.5-6 = ±0.2 6-30 = ±0.4 30-120 = ±0.6 120-315 = ±1 315-1000 = ±1.6 1000-2000 = ±2.4				APPROVED	DATE	Amphenol - Kai Jack TAINAN TAIWAN						
LOCK WASHER	S50C	NOTE 10														BNC R/A PC MOUNT RECEPT. JACK	
MOUNTING POST	NOTE 2	NOTE 4															
POST	COPPER	NOTE 4												ITEM NO. 016252AAD07MBOF			
CONTACT PIN	NOTE 5	NOTE 6														7RD-DR/44/178	
INSULATOR	NOTE 8	NATURAL															
BODY	NOTE 7	NOTE 3															
HOUSING	NOTE 9	BLACK			SCALE	2.5/1	ISSUE	A2	FILE NO.	F:\DWG\B\6252H8\75T\NPP3G							