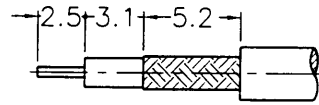
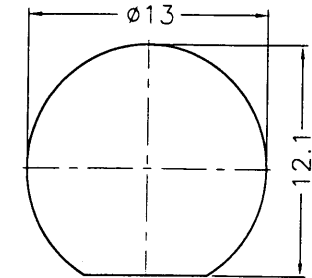


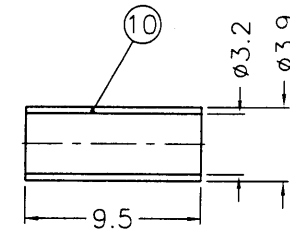
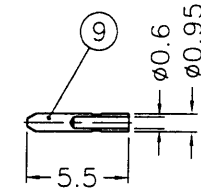
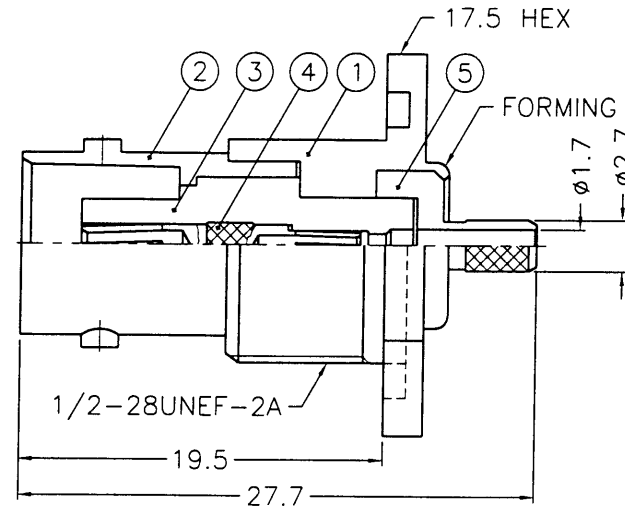
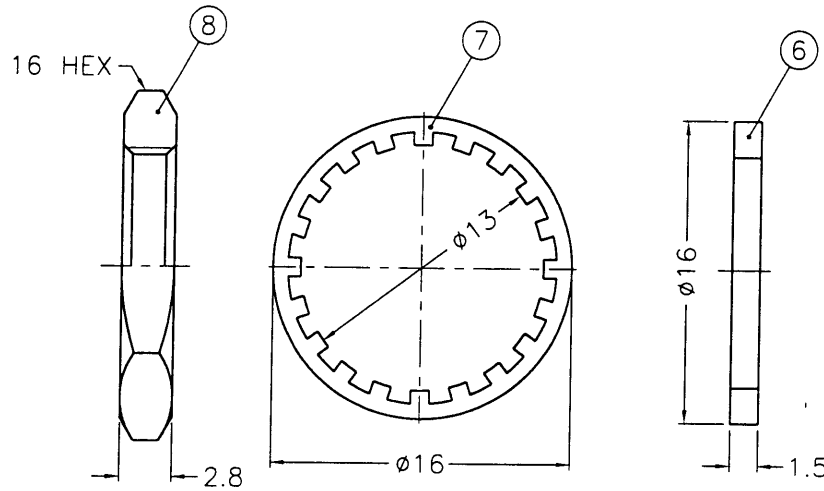
REVISIONS		
ISS	ZONE	DESCRIPTION\PER REQUEST\DATE



RECOMMENDED CABLE STRIPPING DIM'S



RECOMMENDED MOUNTING HOLE



NOTES: FINISH (PLATING THICKNESS IN MICRO-INCHES)

1. BRASS PER QQ-B-626
2. BRASS PER QQ-B-613
3. NICKEL PL. 100 MIN. THICK OVER COPPER STRIKE
4. PHOSPHOR BRONZE PER QQ-B-750
5. GOLD PL. 3 MIN. THICK OVER NICKEL PL. 100 MIN. THICK OVER COPPER STRIKE
6. TEFLON MIL-P-19468
7. JIS H 3250, C 2700

10	FERRULE	NOTE 7	NOTE 3	1	FR-39/32X95
9	CONTACT PIN	NOTE 1	NOTE 5	1	B50003-9-0.6
8	HEX NUT	NOTE 1	NOTE 3	1	HN16-1/2-28X28
7	LOCK WASHER	NOTE 2	NOTE 3	1	LW-16/13X05
6	GASKET	RUBBER	RED	1	GS-16/122X15
5	BARREL	NOTE 1	NOTE 3	1	B6421G1-5-27/17
4	CONTACT PIN	NOTE 4	NOTE 5	1	B6421G1-4-1.05
3	INSULATOR	NOTE 6	NATURAL	1	B6421G1-3T-50
2	BODY	NOTE 1	NOTE 3	1	B74000-2
1	HOUSING	NOTE 1	NOTE 3	1	B6421G1-1-B
NO.	DESCRIPTION	MATERIAL	FINISH	Q'TY	DRAWING NO.

DIMENSIONS ARE IN MILLIMETERS

UNLESS OTHERWISE SPECIFIED TOLERANCES

- 0.5-6 = ±0.2
- 6-30 = ±0.4
- 30-120 = ±0.6
- 120-315 = ±1
- 315-1000 = ±1.6
- 1000-2000 = ±2.4

PART NO.

APPROVED

CHECKED

DRAWN

DATE

DATE

DATE

04-27-99'

04-27-99'

04-27-99'



KAI JACK INDUSTRIAL CO., LTD.  
TAINAN TAIWAN R.O.C.

TITLE

BNC BULKHEAD CRIMP JACK  
(FOR RG-174/U, 188A/U, 316/U)

DRAWING NO.

KJ-B6421G1-NT3G-316U-50

FILE NO.

F:\DWG\B\6421G1\316U-50\NT3G

882540A

F  
E  
D  
C  
B  
A

F  
E  
D  
C  
B  
A