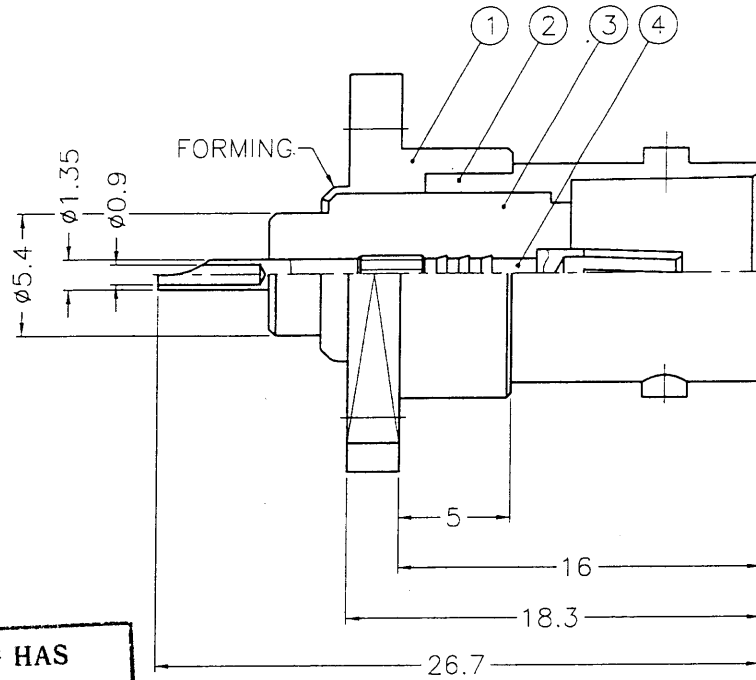
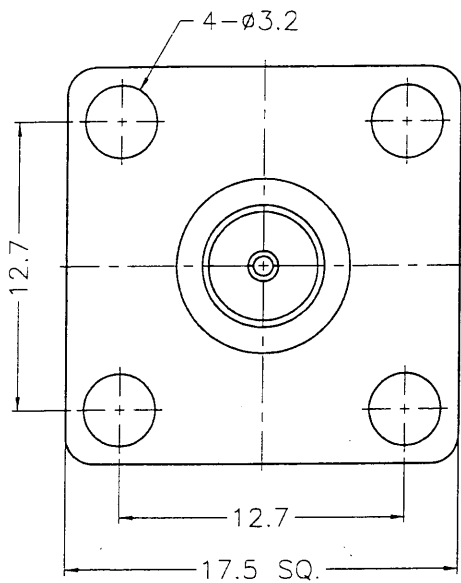


業務部

1 2 3 4 5 6 7 8

REVISIONS		
ISS	ZONE	DESCRIPTION \ APPROVED \ DATE
-	A-7	B6551A1 WAS B75300 \ TONY. T \ 04-14-93'



THIS DRAWING HAS APPROVED BY:


CUSTOMER SIGNATURE _____

DATE: _____

- NOTES: 1. PER KAI JACK SPEC. EP-SS-9700
 2. BRASS PER QQ-B-626
 3. PHOSPHOR BRONZE PER QQ-B-750
 4. TEFLON MIL-P-19468

DIMENSIONS ARE IN MILLIMETERS			
UNLESS OTHERWISE SPECIFIED TOLERANCES			
0.5-6	=	±0.2	
6-30	=	±0.4	
30-120	=	±0.6	
120-315	=	±1	
315-1000	=	±1.6	
1000-2000	=	±2.4	

PART NO.	
APPROVED	DATE 03-25-98'
CHECKED	DATE 03-25-98'
DRAWN	DATE 03-25-98'

 KAI JACK INDUSTRIAL CO., LTD. TAINAN TAIWAN R.O.C.	
TITLE BNC PANEL JACK	
DRAWING NO. KJ-B6551A1-NT10G-75	
FILE NO. F:\DWG\B\6551A1\75	

NO.	DESCRIPTION	MATERIAL	FINISH	Q'TY	DRAWING NO.
4	CONTACT PIN	NOTE 3	NOTE 1	1	B7310-3-75
3	INSULATOR	NOTE 4	NATURAL	1	B75300-3T-75
2	BODY	NOTE 2	NOTE 1	1	B740Q0-2
1	HOUSING	NOTE 2	NOTE 1	1	B75300-1

1 2 3 4 5 6 7

F
E
D
C
B
A

F
E
D
C
B
A