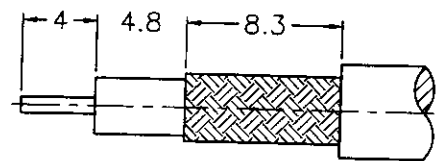
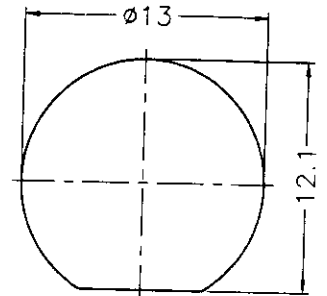


REVISIONS		
ISS	ZONE	DESCRIPTION\PER REQUEST\DATE
B	A-1	NO.1 WAS CHANGED\RD-DM89062901C\06-29-00'
		NO.2 WAS CHANGED\RD-DM89062301C\06-23-00'

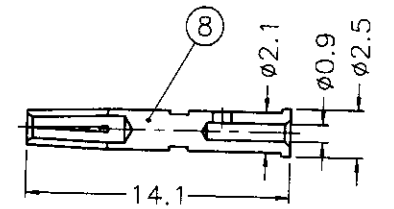
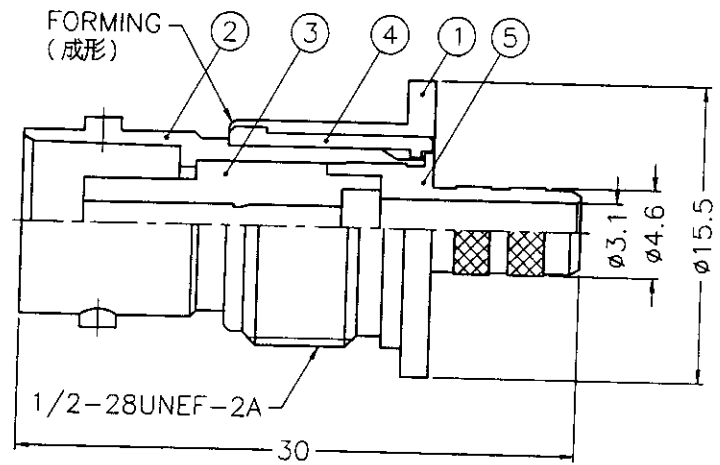
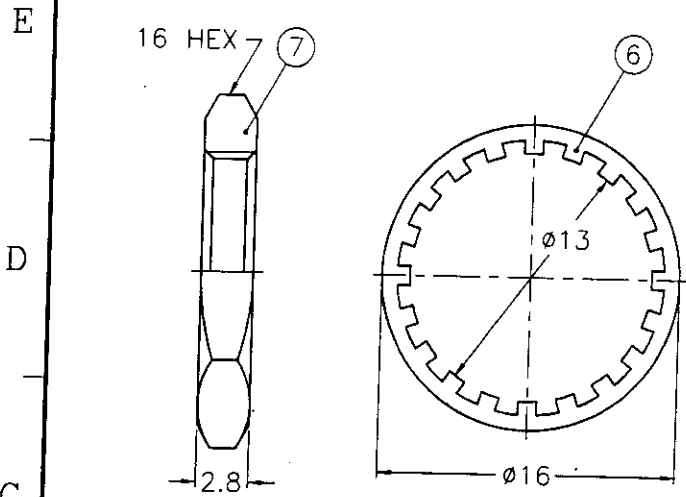


業務部

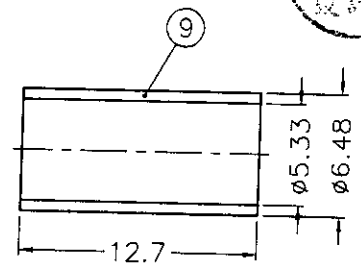


RECOMMENDED
CABLE STRIPPING DIM'S
(建議剝線尺寸)

RECOMMENDED
MOUNTING HOLE
(建議架設孔)



2000.9.30
設計部



- 1. CRIMPED FERRULE
HEX CRIMP SIZE .213"
- 2. CRIMPED CONTACT PIN
HEX CRIMP SIZE .068"

NOTES: FINISH (PLATING THICKNESS IN MICRO-INCHES)
 1. BRASS PER QQ-8-626
 2. BRASS PER QQ-8-613
 3. NICKEL PL. 100 MIN. THICK OVER COPPER STRIKE
 4. PHOSPHOR BRONZE PER QQ-B-750
 5. GOLD PL. 3 MIN. THICK OVER NICKEL PL. 100 MIN. THICK OVER COPPER STRIKE

NO.	DESCRIPTION	MATERIAL	FINISH	Q'TY	DRAWING NO.
9	FERRULE	COPPER	NOTE 3	1	FR-648/533X127C
8	CONTACT PIN	NOTE 4	NOTE 5	1	B74000-8-25/09
7	HEX NUT	NOTE 1	NOTE 3	1	HN16-1/2-28X28
6	LOCK WASHER	NOTE 2	NOTE 3	1	LW-16/13X05
5	BARREL	NOTE 1	NOTE 3	1	B74040-5-46/31
4	INSULATOR	DELTRIN	NATURAL	1	B74040-4
3	INSULATOR	DELTRIN	NATURAL	1	B74090-3-50-B
2	BODY	NOTE 1	NOTE 3	1	B74040-2-B
1	HOUSING	NOTE 1	NOTE 3	1	RB6721E1-1

DIMENSIONS ARE IN MILLIMETERS
 UNLESS OTHERWISE SPECIFIED TOLERANCES
 0.5-6 = ±0.2
 6-30 = ±0.4
 30-120 = ±0.6
 120-315 = ±1
 315-1000 = ±1.6
 1000-2000 = ±2.4

PART NO.	
APPROVED	DATE 09-29-00'
CHECKED	DATE 09-29-00'
DRAWN	DATE 09-29-00'

Amphenol - Kai Jack TAINAN TAIWAN	
TITLE BNC BULKHEAD CRIMP JACK ISOLATED GROUND	
DRAWING NO. KJ-B6721B1-ND3G-58U-50	
FILE NO. F:\DWG\B\6721B1\58U-50\ND3G	