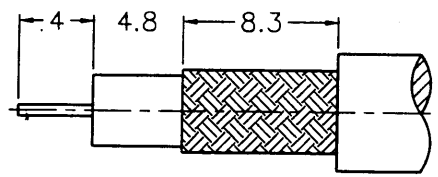
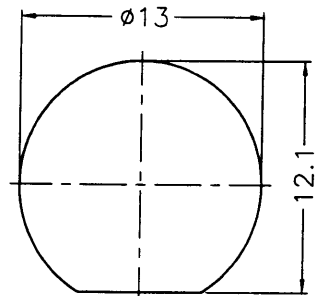


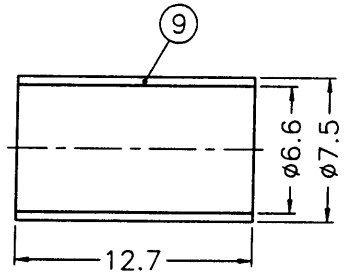
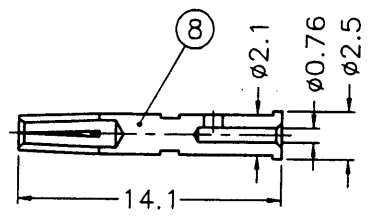
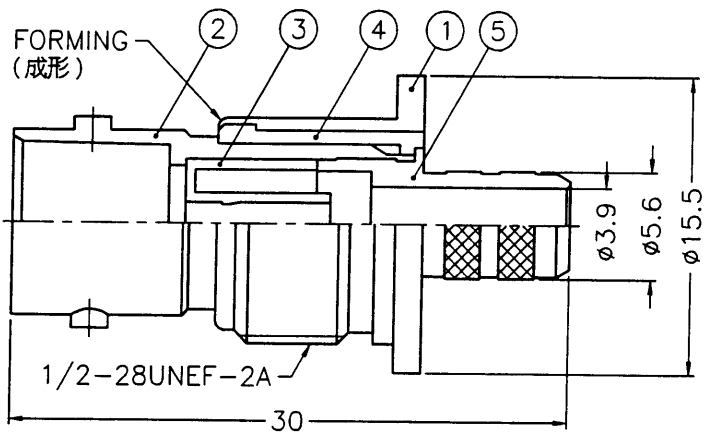
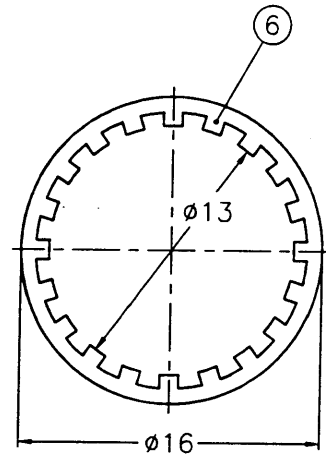
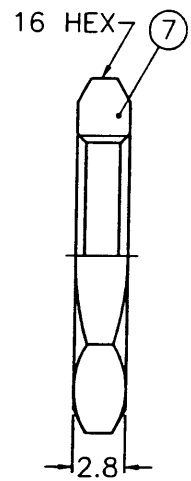
REVISIONS			
ISS	ZONE	DESCRIPTION\PER REQUEST\DATE	
B	A-1	NO.1 WAS CHANGED\RD-DM89062901C\06-29-00'	
		NO.2 WAS CHANGED\RD-DM89062301C\06-23-00'	



RECOMMENDED CABLE STRIPPING DIM'S
(建議剝線尺寸)



RECOMMENDED MOUNTING HOLE
(建議架設孔)



1. CRIMPED FERRULE
HEX CRIMP SIZE .255"
2. CRIMPED CONTACT PIN
HEX CRIMP SIZE .068"



- NOTES: FINISH (PLATING THICKNESS IN MICRO-INCHES)
1. BRASS PER QQ-B-626
 2. BRASS PER QQ-B-613
 3. NICKEL PL. 100 MIN. THICK OVER COPPER STRIKE
 4. PHOSPHOR BRONZE PER QQ-B-750
 5. GOLD PL. 3 MIN. THICK OVER NICKEL PL. 100 MIN. THICK OVER COPPER STRIKE
 6. JIS H 3250, C 2700

NO.	DESCRIPTION	MATERIAL	FINISH	Q'TY	DRAWING NO.
9	FERRULE		NOTE 6	NOTE 3	1 FR-75/66X127
8	CONTACT PIN		NOTE 4	NOTE 5	1 B74000-8-25/076
7	HEX NUT		NOTE 1	NOTE 3	1 HN16-1/2-28X28
6	LOCK WASHER		NOTE 2	NOTE 3	1 LW-16/13X05
5	BARREL		NOTE 1	NOTE 3	1 B74040-5-56/39
4	INSULATOR	DELTRIN	NATURAL		1 B74040-4
3	INSULATOR	DELTRIN	NATURAL		1 B74090-3-75-B
2	BODY		NOTE 1	NOTE 3	1 B74040-2-B
1	HOUSING		NOTE 1	NOTE 3	1 RB6721E1-1

DIMENSIONS ARE IN MILLIMETERS				PART NO.	
UNLESS OTHERWISE SPECIFIED TOLERANCES					
0.5-6 = ±0.2				APPROVED <i>Andy.C</i> DATE 07-07-00'	
6-30 = ±0.4				CHECKED <i>Andy.C</i> DATE 07-07-00'	
30-120 = ±0.6				DRAWN <i>Ironed</i> DATE 07-07-00'	
120-315 = ±1					
315-1000 = ±1.6					
1000-2000 = ±2.4					
SCALE	2.5/1	ISSUE	B		

Amphenol - Kai Jack	
TAINAN TAIWAN	
TITLE	BNC BULKHEAD CRIMP JACK ISOLATED GROUND
DRAWING NO.	KJ-B6721B1-ND3G-59U-75
FILE NO.	F:\DWG\B\6721B1\59U-75\ND3G

F
E
D
C
B
A

F
E
D
C
B
A