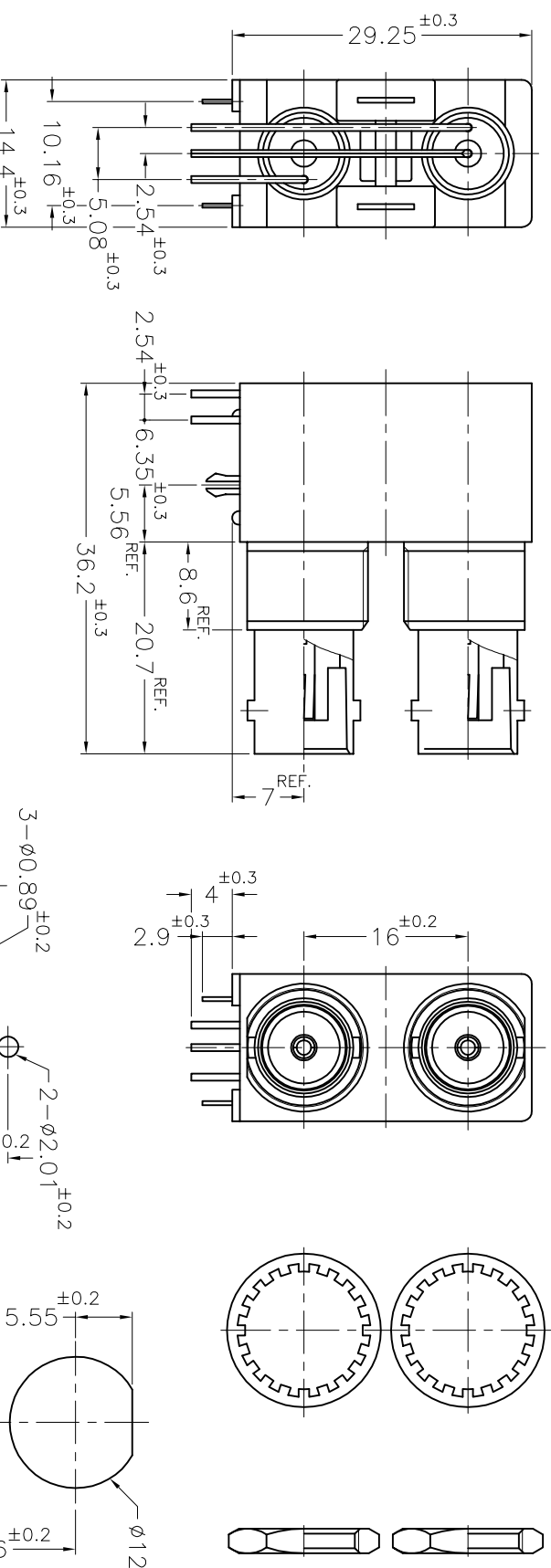


ISS	ZONE	DESCRIPTION \ PER REQUEST \ DATE

REVISIONS



NOTES: FINISH (PLATING THICKNESS IN MICRO-INCHES)

1. BRASS PER QQ-B-626
2. ZINC DIECAST
3. NICKEL PL. 100 MIN. THICK OVER COPPER STRIKE
4. PHOSPHOR BRONZE PER QQ-B-750
5. GOLD FLASH OVER COPPER STRIKE AT MATING AREA.
6. BRIGHT TIN PL. 80 MIN. THICK OVER COPPER PL. 100 MIN. THICK
7. POLYPROPYLENE UL 94HB
8. PBT (UL 94 V-0)
9. NICKEL PL. 80 MIN. THICK OVER COPPER STRIKE

PCB MOUNTING HOLE
(印刷電路板架設孔)

RECOMMENDED
MOUNTING HOLE
(建議架設孔)

NO.	DESCRIPTION	MATERIAL	FINISH	Q'TY	DRAWING NO.	SCALE	1.5/1	ISSUE	A2	FILE NO.	F:\DWG\B\705002\50\NPB3G	ITEM NO.
1	NUT	NOTE 1	NOTE 9	2								
	LOCK WASHER	S50C	NOTE 9	2								
	MOUNTING POST	NOTE 1	NOTE 6	2								
	POST	COPPER	NOTE 6									
	HOUSING	NOTE 8	BLACK	1								
	CONTACT PIN	NOTE 4	NOTE 5									
	INSULATOR	NOTE 7	NATURAL									
	BODY	NOTE 2	NOTE 3	2								
1	DESCRIPTION	MATERIAL	FINISH	Q'TY	DRAWING NO.	SCALE	1.5/1	ISSUE	A2	FILE NO.	F:\DWG\B\705002\50\NPB3G	ITEM NO.

Amphenol - Kai Jack

TAINAN TAIWAN

DUAL PORT BNC R/A PCB
MOUNT RECEPTACLE

DRAWING NO. KJ-B705002-NPB3G-50

A

B

C

D

E

F

A

B

C

D

E

F