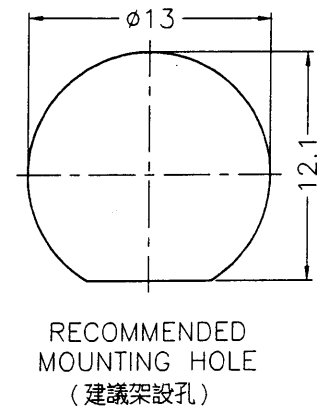
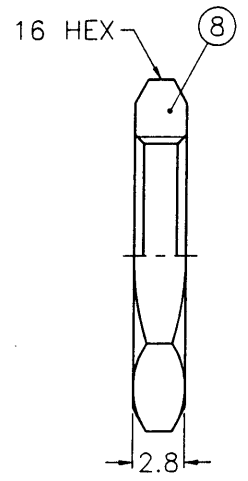
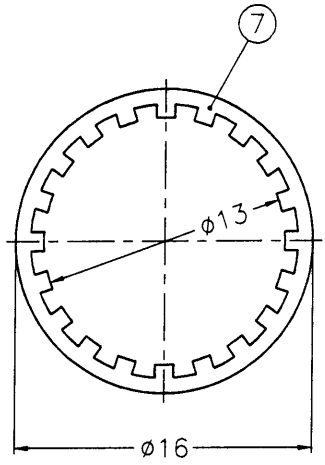
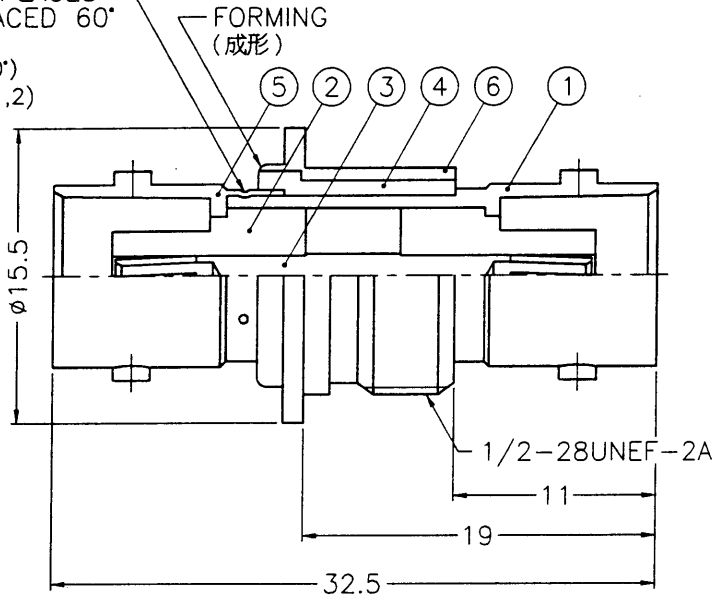


REVISIONS		
ISS	ZONE	DESCRIPTION\PER REQUEST\DATE
B	A-1	NO.1 WAS CHANGED\RD-DM89062301C\06-23-00'
		NO.6 WAS CHANGED\RD-DM89060902C\06-09-00'
C	A-1	NO.4 WAS CHANGED\RD-DM89100201Y\10-02-00'
D	A-1	NO.1 WAS CHANGED\RD-DM89121901C\12-19-00'
	C-2	DELETED "ROLLING"\RD-DM89121901C\12-19-00'

REMARK:1. AMONG NO.1, NO.5 AND NO.6 MUST WITHSTAND 15 IN-LBS TORQUE AFTER STAKING OPERATION  
 2. REMARK 1 IS MAINTAINED BY STAKING SHOWN ON THE DRAWING WITHOUT PUNCTURING NO.5  
 (1. 打點後零件 1, 5, 6 之間至少須承受 15 吋一磅的扭力)  
 (2. 打點後除需符合備註 1 要求外 且不可擊穿零件 5)



STAKE IN 6 PLACES  
 EQUALLY SPACED 60°  
 APART  
 (打六點 間隔 60°)  
 (SEE REMARK 1,2)



NOTES: FINISH (PLATING THICKNESS IN MICRO-INCHES)  
 1. BRASS PER QQ-B-626  
 2. BRASS PER QQ-B-613  
 3. NICKEL PL. 100 MIN. THICK OVER COPPER STRIKE  
 4. PHOSPHOR BRONZE PER QQ-B-750  
 5. GOLD PL. 3 MIN. THICK OVER NICKEL PL. 100 MIN. THICK OVER COPPER STRIKE



NO.	DESCRIPTION	MATERIAL	FINISH	Q'TY	DRAWING NO.	SCALE	2.5/1	ISSUE	D	PART NO.	APPROVED	DATE	TITLE
8	HEX NUT			1	HN16-1/2-28X28	DIMENSIONS ARE IN MILLIMETERS							<b>Amphenol - Kai Jack</b> TAINAN TAIWAN BNC FEMALE TO FEMALE BULKHEAD ISOLATED ADAPTOR KJ-B7771B1-ND3G-50 F:\DWG\B\7771B1\50\ND3G
7	LOCK WASHER			1	LW-16/13X05	UNLESS OTHERWISE SPECIFIED TOLERANCES							
6	HOUSING			1	B7925-6-C	0.5-6 = ±0.2							
5	BODY			1	B7925-5	6-30 = ±0.4							
4	INSULATOR	DELRIN	NATURAL	1	B7925-4-B	30-120 = ±0.6							
3	CONTACT PIN			1	B7900-4	120-315 = ±1							
2	INSULATOR	DELRIN	NATURAL	2	B7996ZZ-3-50	315-1000 = ±1.6							
1	BODY			1	B7925-1-D	1000-2000 = ±2.4							
											JACK C Jockey Jockey	DATE 12-19-00' DATE 12-19-00' DATE 12-19-00'	