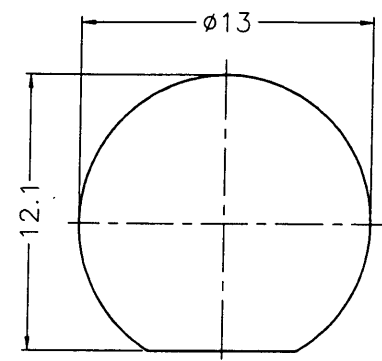
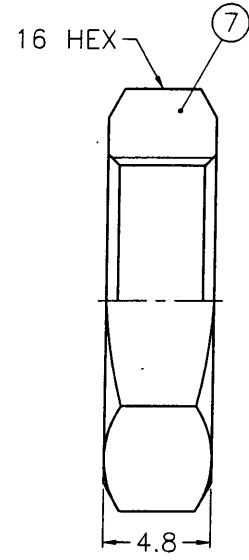
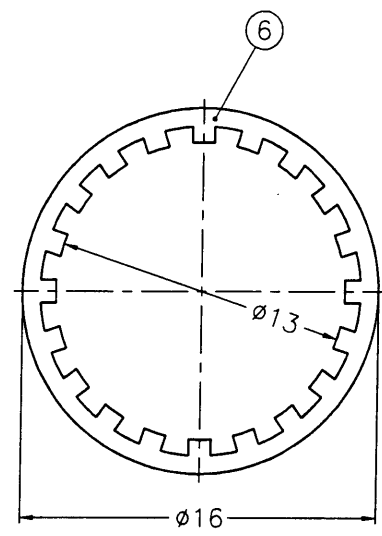
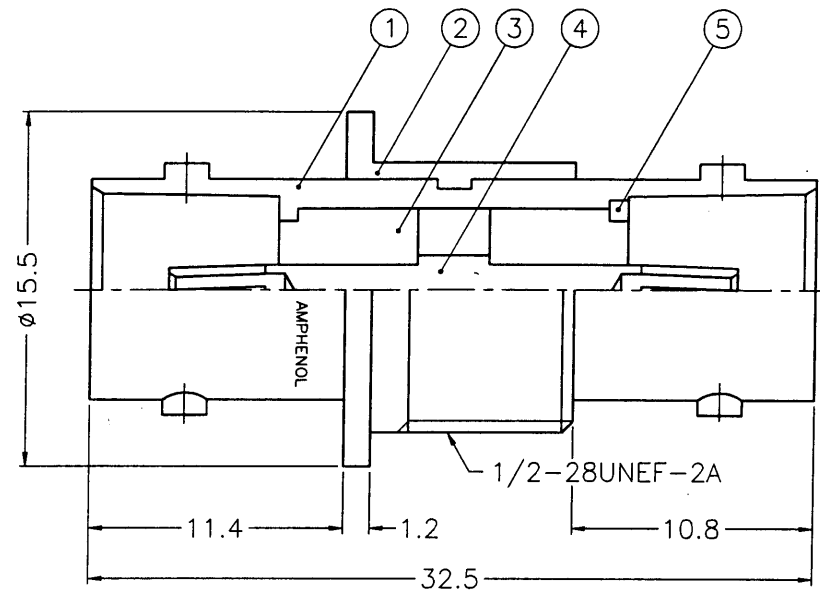


1 2 3 4 5 6 7 8

REVISIONS		
ISS	ZONE	DESCRIPTION\PER REQUEST\DATE

**SALES**



RECOMMENDED MOUNTING HOLE  
(建議架設孔)

NOTES: FINISH (PLATING THICKNESS IN MICRO-INCHES)  
 1. BRASS PER QQ-B-626  
 2. BRASS PER QQ-B-613  
 3. NICKEL PL. 100 MIN. THICK OVER COPPER STRIKE  
 4. PHOSPHOR BRONZE PER QQ-B-750  
 5. GOLD PL. 3 MIN. THICK OVER NICKEL PL. 100 MIN. THICK OVER COPPER STRIKE



1. MAX. PANEL THICKNESS=3.2mm

DIMENSIONS ARE IN MILLIMETERS					PART NO.		<b>Amphenol - Kai Jack</b>		
7	HEX NUT	NOTE 1	NOTE 3	1	HN16-1/2-28X48	UNLESS OTHERWISE SPECIFIED TOLERANCES		TAINAN TAIWAN	
6	LOCK WASHER	NOTE 2	NOTE 3	1	LW-16/13X05	0.5-6 = ±0.2	APPROVED <i>Amphenol</i>	TITLE	
5	LOCK RING	NOTE 1	NOTE 3	1	LR-79/62X08	6-30 = ±0.4	DATE 08-01-01'	BNC FEMALE TO FEMALE BULKHEAD ISOLATED ADAPTOR	
4	CONTACT PIN	NOTE 4	NOTE 5	1	B7900-4	30-120 = ±0.6	CHECKED <i>Jackey</i>	DRAWING NO.	
3	INSULATOR	DELTRIN	NATURAL	2	B7996ZZ-3-75	120-315 = ±1	DATE 08-01-01'	KJ-B7771B3-004-ND3G-75	
2	INSULATOR	DELTRIN	WHITE	1	B7771B3-1P-S1	315-1000 = ±1.6	DRAWN <i>Jackey</i>	FILE NO.	
1	BODY	NOTE 1	NOTE 3	1		1000-2000 = ±2.4	DATE 08-01-01'	F:\DWG\B\7771B3\004\75\ND3G	
NO.	DESCRIPTION	MATERIAL	FINISH	Q'TY	DRAWING NO.	SCALE	3/1	ISSUE	A

RD-8DR12577