

1 2 3 4 5 6 7 8

REVISIONS		
ISS	ZONE	DESCRIPTION\PER REQUEST\DATE
A1	A-3	NO.12 WAS CHANGED\RD-DM90080302Y\09-13-01'

SALES

F

E

D

C

B

A

F

E

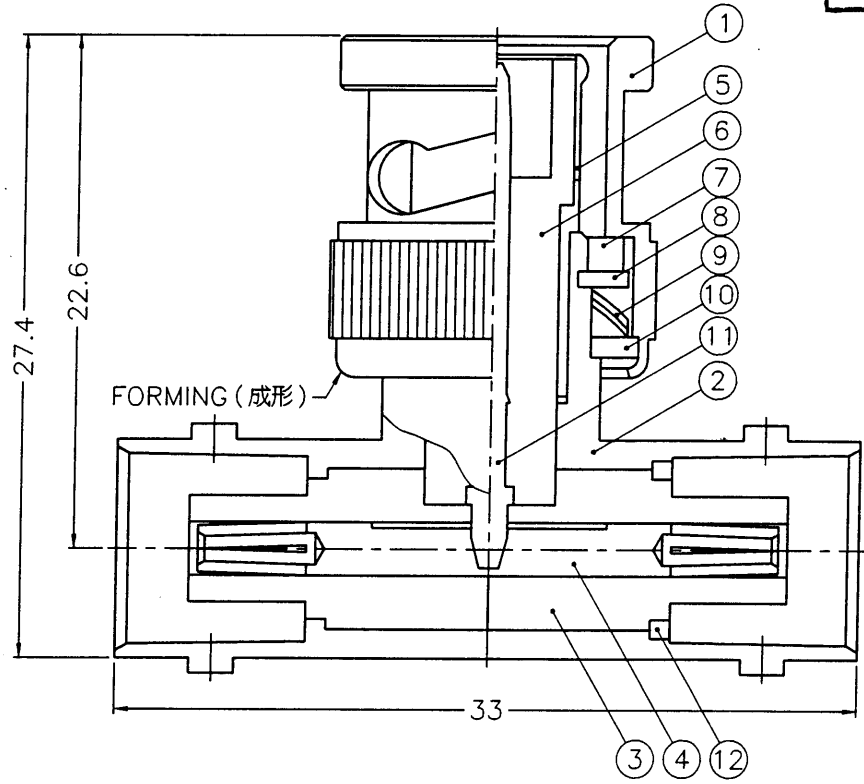
D

C

B

A

PATENT NO.: 79778



- NOTES: FINISH (PLATING THICKNESS IN MICRO-INCHES)
1. BRASS PER QQ-B-626
 2. BRASS PER QQ-B-613
 3. NICKEL PL. 100 MIN. THICK OVER COPPER STRIKE
 4. PHOSPHOR BRONZE PER QQ-B-750
 5. NICKEL PL. 200 MIN. THICK OVER COPPER STRIKE
 6. NICKEL PL. 100 MIN. THICK OVER COPPER PL. 300 MIN. THICK
 7. GOLD PL. 3 MIN. THICK OVER NICKEL PL. 100 MIN. THICK OVER COPPER STRIKE

ISSUED
2001.9.13
R&D

12	LOCK RING	NOTE 1	NOTE 3	1	LR-79/62X08
11	CONTACT PIN	NOTE 1	NOTE 7	1	B9073D1-11-B
10	WASHER	NOTE 2	NOTE 3	1	WS-128/9X08
9	SPRING	SK5	NOTE 5	2	B50000-6
8	RETAINER RING	NOTE 1	NOTE 3	1	B50000-5
7	GASKET	RUBBER	RED	1	GS-115/8X15
6	INSULATOR	DELTRIN	NATURAL	1	B9073D1-6-50-B
5	BODY	NOTE 1	NOTE 3	1	B9073D1-5
4	CONTACT PIN	NOTE 4	NOTE 7	1	B9073D1-4-A
3	INSULATOR	DELTRIN	NATURAL	2	B9073D1-3-50-A
2	HOUSING	DIECAST	NOTE 6	1	B9073D1-2
1	SHELL	DIECAST	NOTE 6	1	B50000Z-1

DIMENSIONS ARE IN MILLIMETERS
UNLESS OTHERWISE SPECIFIED TOLERANCES

0.5-6	= ±0.2
6-30	= ±0.4
30-120	= ±0.6
120-315	= ±1
315-1000	= ±1.6
1000-2000	= ±2.4

PART NO.		019073AAC00ND5F	
APPROVED	<i>[Signature]</i>	DATE	09-13-01'
CHECKED	<i>[Signature]</i>	DATE	09-13-01'
DRAWN	<i>[Signature]</i>	DATE	09-13-01'

Amphenol - Kai Jack	
TAINAN TAIWAN	
TITLE BNC "T" ADAPTOR JACK-PLUG-JACK	
DRAWING NO. KJ-B9073D1-ND3G-50	
FILE NO. F:\DWG\B\9073D1\50\ND3G	

NO.	DESCRIPTION	MATERIAL	FINISH	Q'TY	DRAWING NO.	SCALE	3/1	ISSUE	B
-----	-------------	----------	--------	------	-------------	-------	-----	-------	---

1 2 3 4 5 6 7 8 RDPR15774