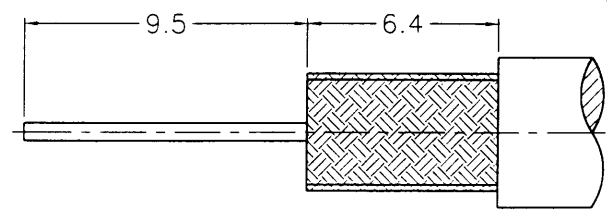


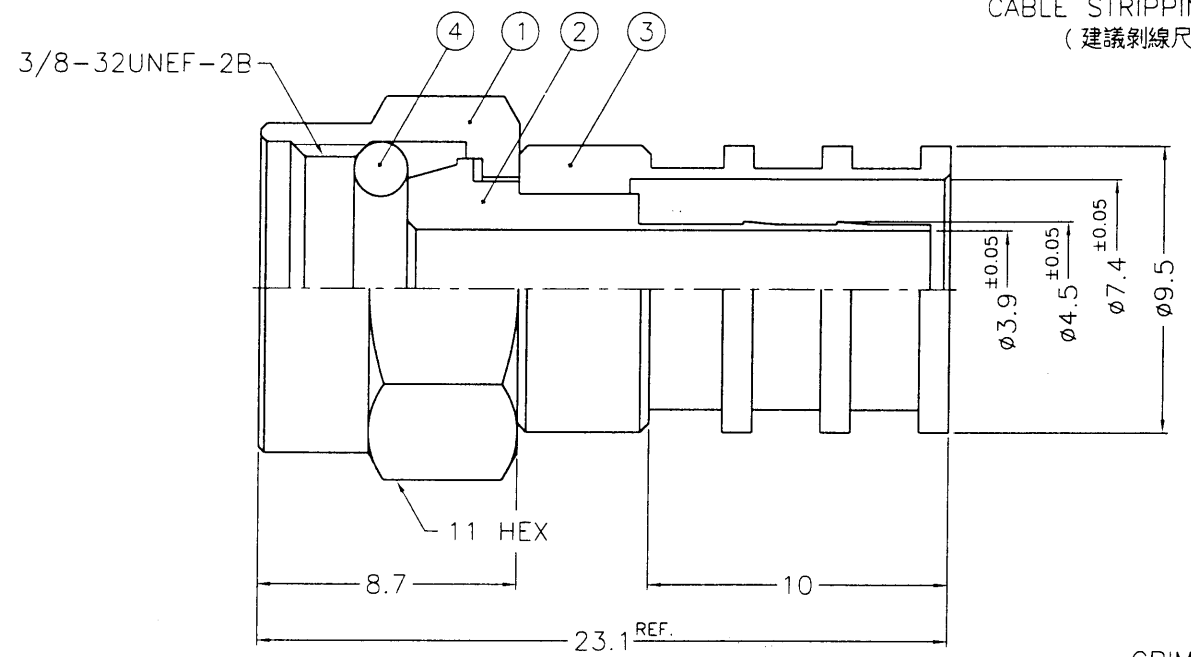
1 2 3 4 5 6 7 8

REVISIONS		
ISS	ZONE	DESCRIPTION\APPROVED\DATE
B	A-1	NO.2 AND NO.3 WERE CHANGED\TONY. T\03-15-97'
B1	E-5	DELETED STAMP 6 POINTS\N/A\09-30-99'

業務部



RECOMMENDED
CABLE STRIPPING DIM'S
(建議剝線尺寸)



出圖
88.10.02
K & D

CRIMPED FERRULE
HEX CRIMP SIZE .324"

NOTES: FINISH (PLATING THICKNESS IN MICRO-INCHES)
1. BRASS PER QQ-B-626
2. BRASS JIS H 3260, C 3501
3. NICKEL PL. 100 MIN. OVER COPPER STRIKE

DIMENSIONS ARE IN MILLIMETERS						PART NO.		Amphenol - Kai Jack	
UNLESS OTHERWISE SPECIFIED TOLERANCES						APPROVED		TAINAN TAIWAN	
0.5-6 = ±0.2						DATE		TITLE	
6-30 = ±0.4						10-02-99'		F CONNECTOR	
30-120 = ±0.6						CHECKED		DRAWING NO.	
120-315 = ±1						DATE		KJ-F1111M2-N-59U	
315-1000 = ±1.8						DRAWN		FILE NO.	
1000-2000 = ±2.4						DATE		F:\DWG\F\1111M2\59U\N	
SCALE 4/1 ISSUE B1						10-02-99'			

NO.	DESCRIPTION	MATERIAL	FINISH	Q'TY	DRAWING NO.
4	GASKET	SILICONE	BLACK	1	GS-101/65XD1B
3	FERRULE	NOTE 2	NOTE 3	1	F1111M2-3-95/74-B
2	BARREL	NOTE 1	NOTE 3	1	F1111M1-2-45/39-C
1	SHELL	NOTE 1	NOTE 3	1	F1111M1-1

Mark C
Case W
Betty S

8F 2024