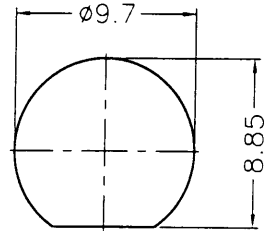
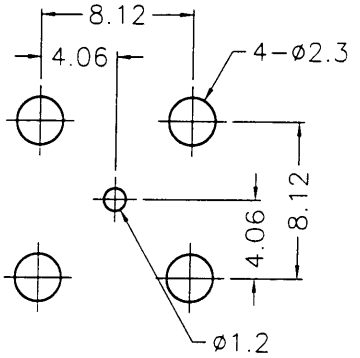
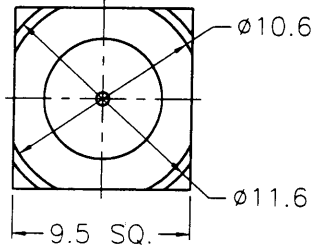


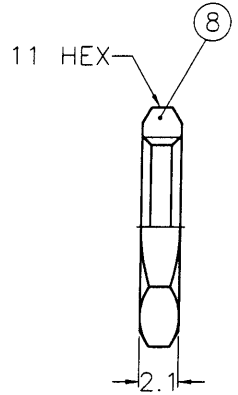
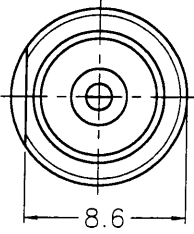
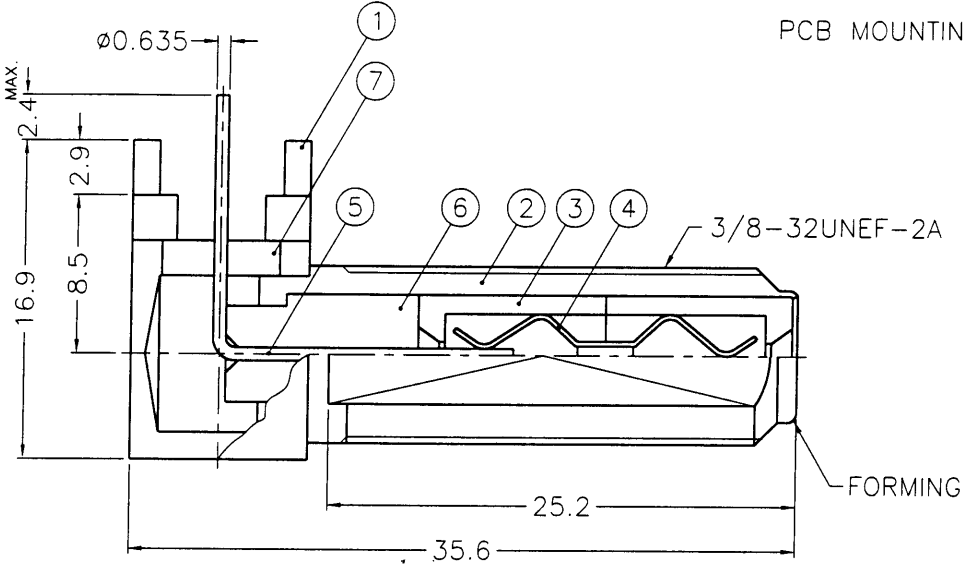
業務部

REVISIONS			
ISS	ZONE	DESCRIPTION\PER REQUEST\DATE	



PCB MOUNTING HOLES

RECOMMENDED MOUNTING HOLE



出圖
88.1.08
R & D

NOTES: FINISH (PLATING THICKNESS IN MICRO-INCHES)
 1. BRASS PER QQ-B-626
 2. BRASS PER QQ-B-613
 3. NICKEL PL. 100 MIN. THICK OVER COPPER STRIKE
 4. BRIGHT TIN PL. 100 MIN. THICK OVER NICKEL PL. 50 MIN. THICK OVER COPPER PL. 100 MIN. THICK

NO.	DESCRIPTION	MATERIAL	FINISH	Q'TY	DRAWING NO.	SCALE	2.5/1	ISSUE	A	PART NO.	APPROVED	DATE	TITLE
8	HEX NUT			1	HN11-3/8-32X21	DIMENSIONS ARE IN MILLIMETERS							KAI JACK INDUSTRIAL CO., LTD. TAINAN TAIWAN R.O.C. F R/A CONNECTOR DRAWING NO. KJ-F6252A1-001-NPPT FILE NO. F:\DQG\F\6252A1\001\NPPT
7	INSULATOR	DELIN	NATURAL	1	F7790-7	UNLESS OTHERWISE SPECIFIED TOLERANCES							
6	INSULATOR	DELIN	NATURAL	1	1016844-6	0.5-6 = ±0.2							
5	CONTACT PIN			1	1016844-5-C	6-30 = ±0.4				Mark C	01-08-99'		
4	CONTACT PIN			1	F7790-34-PPBT	30-120 = ±0.6				Mark C	01-08-99'		
3	INSULATOR	P.P.	NATURAL	2		120-315 = ±1				Ada	01-08-99'		
2	BODY			1	1016844-2	315-1000 = ±1.6							
1	HOUSING			1	1016844-1	1000-2000 = ±2.4							

8F-2065U