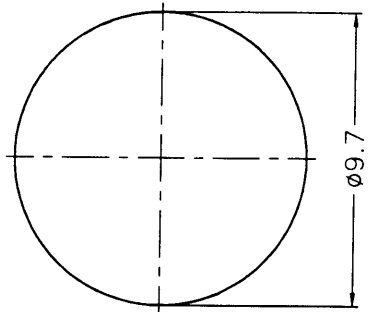


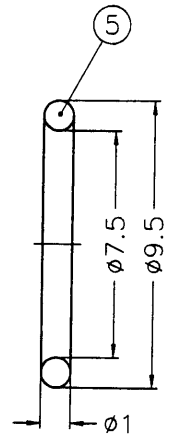
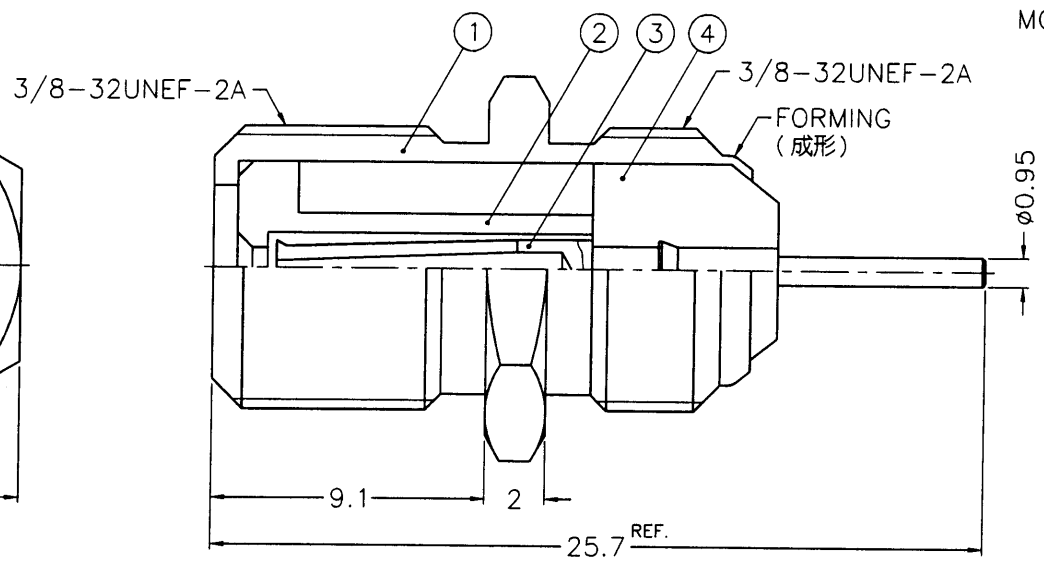
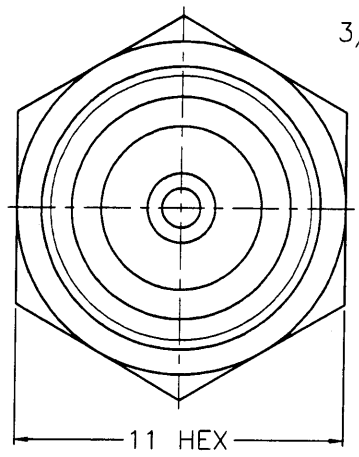
1 2 3 4 5 6 7 8

REVISIONS		
ISS	ZONE	DESCRIPTION\PER REQUEST\DATE

業務部



RECOMMENDED MOUNTING HOLE  
(建議架設孔)



- NOTES: FINISH (PLATING THICKNESS IN MICRO-INCHES)
1. BRASS PER QQ-B-626
  2. NICKEL PL. 100 MIN. THICK OVER COPPER STRIKE
  3. BERYLLIUM COPPER PER QQ-C-530
  4. GOLD PL. 3 MIN. THICK OVER NICKEL PL. 100 MIN. THICK OVER COPPER STRIKE
  5. TEFLON MIL-P-19468



DIMENSIONS ARE IN MILLIMETERS			
UNLESS OTHERWISE SPECIFIED TOLERANCES			
0.5-6	=	±0.2	
6-30	=	±0.4	
30-120	=	±0.6	
120-315	=	±1	
315-1000	=	±1.6	
1000-2000	=	±2.4	

PART NO.	
APPROVED	DATE
CHECKED	DATE
DRAWN	DATE

<b>Amphenol - Kai Jack</b>	
TAINAN TAIWAN	
TITLE	
F RECEPTACLE-EXTENDED CONNECTOR	
DRAWING NO.	
KJ-F6351A1-NT3G-75	
FILE NO.	
F:\DWG\F\6351A1\75\NT3G	

NO.	DESCRIPTION	MATERIAL	FINISH	Q'TY	DRAWING NO.
5	GASKET	N.B.R.	BLACK	1	GS-95/75XD1
4	INSULATOR	NOTE 5	NATURAL	1	F6351A1-4
3	CONTACT PIN	NOTE 3	NOTE 4	1	F6351A1-3
2	INSULATOR	NOTE 5	NATURAL	1	F6351A1-2
1	BODY	NOTE 1	NOTE 2	1	F6351A1-1

F  
E  
D  
C  
B  
A

F  
E  
I  
C  
E  
A

1 2 3 4 5 6 7 8 8F R0719